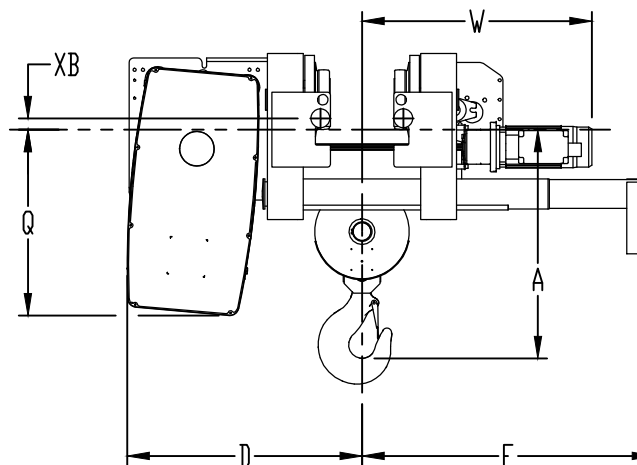
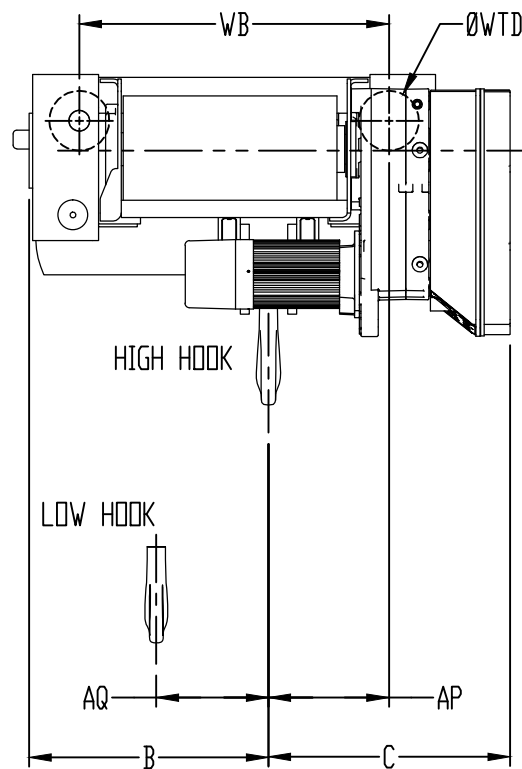
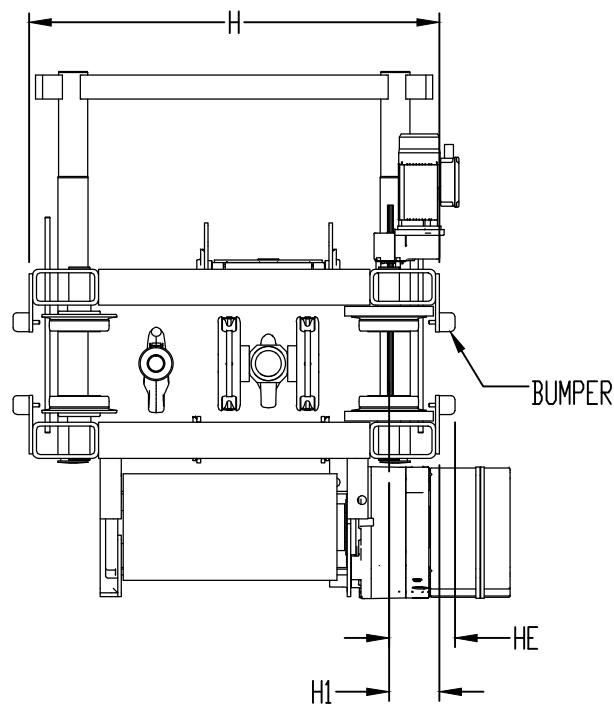


ACTUAL FLANGE WIDTH SETTING (IN)	4.880	6.700	7.697	8.700	10.256	11.800	13.780	15.750	16.732	17.717	18.701	19.700
MINIMUM HEADROOM DIMENSION "A" (IN)	39.17	39.17	39.33	39.49	39.73	39.96	42.43	44.88	46.06	47.23	48.41	49.61

FLANGE ADJUSTMENT RANGES
4.880" - 6.700"
6.701 - 8.700"
8.701" - 11.800"
11.801" - 15.750"
15.751" - 19.700"

DIMENSIONAL DATA	
B	31.50 INCH
C	31.79 INCH
D*	30.91 INCH
E*	38.46 INCH
Q	24.47 INCH
W*	30.26 INCH
WTD	7.87 INCH
WB	40.75 INCH
H	53.98 INCH
H1	6.61 INCH
HE	8.70 INCH
XB	1.46 INCH
AP	15.87 INCH
AQ	4.61 INCH



TECHNICAL DATA	
HOIST PLATFORM	GN WIRE ROPE HOIST
HOIST MODEL NUMBER	YKD-L15-028S420-2
RATED LIFT CAPACITY	15 U.S. TON
ACTUAL LIFT DISTANCE	28 FT (8.5 M)
MAXIMUM LIFTING SPEED	20 FT/MIN (6.1 M/MIN)
REEVING STYLE	4-PART SINGLE-REEVED
HOIST CONTROL TYPE	TWO-SPEED
HOIST SUSPENSION TYPE	UNDERHUNG MOTORIZED TROLLEY
TROLLEY TRAVERSE SPEED	80 FT/MIN (24.38 M/MIN)
TROLLEY CONTROL TYPE	TWO-SPEED
TROLLEY BUMPERS	INCLUDED
HOIST DUTY CLASSIFICATION	H4
OPERATING VOLTAGE	460V/3PH/60Hz
CONTROL VOLTAGE	120VAC
HOIST MOTOR (MAIN) HP	26.8
TROLLEY MOTOR HP	2.0
TROLLEY MOTOR QTY	1
BASE WEIGHT OF HOIST (LBS)	3131

NOTE:

* DIMENSIONS D, E, AND W ARE SHOWN FOR A BEAM FLANGE WIDTH 8.00 INCHES. THESE DIMENSIONS ARE MEASURED FROM CAD MODELS AND CONSIDERED AS APPROXIMATE VALUES.

This drawing is intended for preliminary reference use only and depicts general clearance dimensions based on standard product configuration. If your application includes specific critical dimensional constraints it is recommended that an Approval Drawing be required at time of order.

Dimensional Units
INCH



Third Angle Projection

Modeled: 11/12/2018 SRCCE

Drawn: 11/12/2018 SRCCE

Approved:

Design Authority: -

Original project: -

Original Scale: 1:24

2-SPEED

Description:
CLEARANCE DIAGRAM
15 TON 28 FT LIFT S4 REEVING 20 FT/MIN

Format	Number:	Sheet
B	YKD-L15-028S420-2	1

ECN	Rev.	Description of change	Date	By
-	-	-	-	-
-	-	-	-	-
-	-	-	-	-

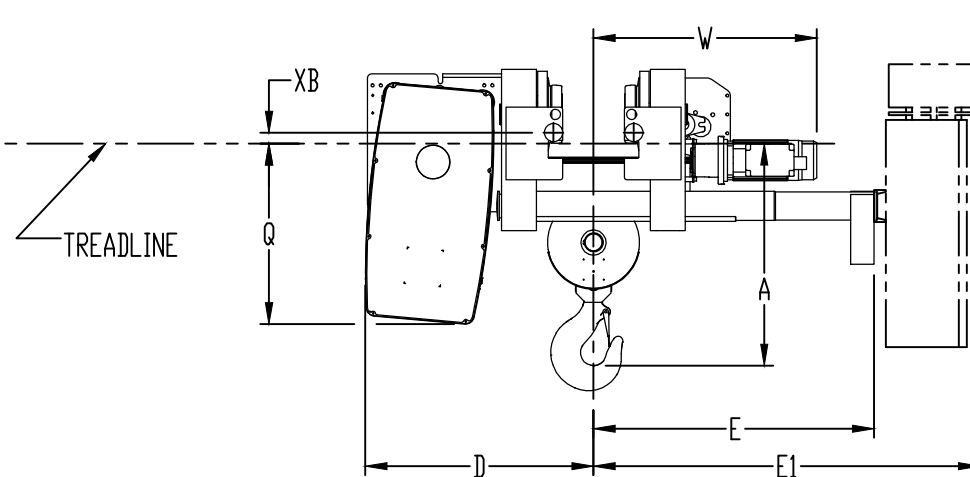
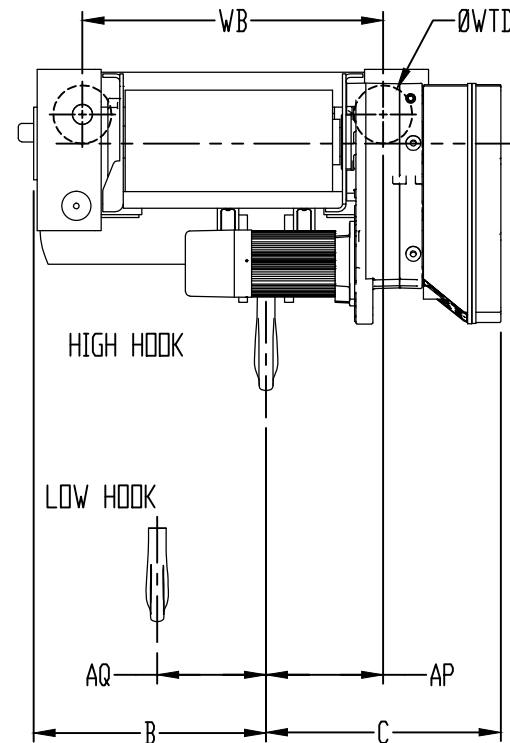
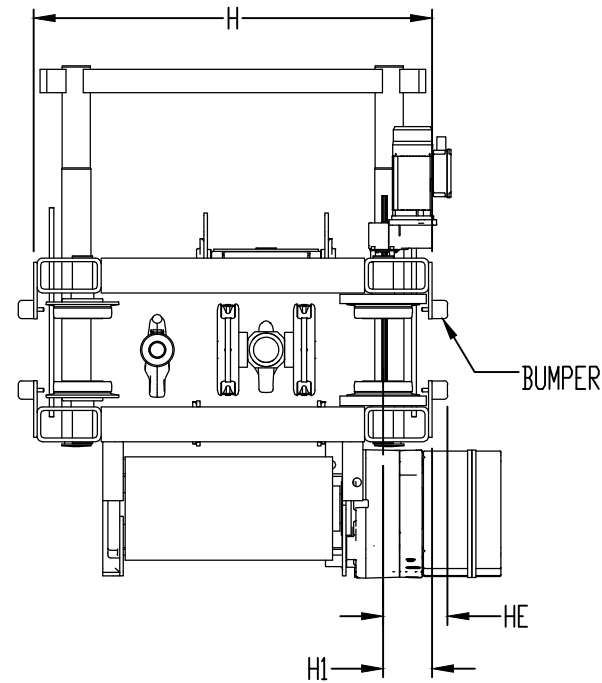
ACTUAL FLANGE WIDTH SETTING (IN)	4.880	6.700	7.697	8.700	10.256	11.800	13.780	15.750	16.732	17.717	18.701	19.700
MINIMUM HEADROOM DIMENSION "A" (IN)	39.17	39.17	39.33	39.49	39.73	39.96	42.43	44.88	46.06	47.23	48.41	49.61

FLANGE ADJUSTMENT RANGES
4.880" - 6.700"
6.701 - 8.700"
8.701" - 11.800"
11.801" - 15.750"
15.751" - 19.700"

DIMENSIONAL DATA	
B	31.50 INCH
C	31.79 INCH
D*	30.91 INCH
E*	37.99 INCH
E1*	48.43 INCH
Q	24.47 INCH
W*	30.26 INCH
WTD	7.87 INCH
WB	40.75 INCH
H	53.98 INCH
H1	6.61 INCH
HE	8.70 INCH
XB	1.46 INCH
AP	15.87 INCH
AQ	4.61 INCH

NOTE:

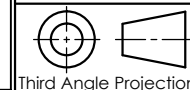
* DIMENSIONS D, E, E1 AND W ARE SHOWN FOR A BEAM FLANGE WIDTH 8.00 INCHES. THESE DIMENSIONS ARE MEASURED FROM CAD MODELS AND CONSIDERED AS APPROXIMATE VALUES.



TECHNICAL DATA	
HOIST PLATFORM	GN WIRE ROPE HOIST
HOIST MODEL NUMBER	YKD-L15-028S420-V
RATED LIFT CAPACITY	15 U.S. TON
ACTUAL LIFT DISTANCE	28 FT (8.5 M)
MAXIMUM LIFTING SPEED	20 FT/MIN (6.1 M/MIN)
REEVING STYLE	4-PART SINGLE-REEVED
HOIST CONTROL TYPE	VARIABLE SPEED
HOIST SUSPENSION TYPE	UNDERHUNG MOTORIZED TROLLEY
TROLLEY TRAVERSE SPEED	80 FT/MIN (24.38 M/MIN)
TROLLEY CONTROL TYPE	TWO-SPEED
TROLLEY BUMPERS	INCLUDED
HOIST DUTY CLASSIFICATION	H4
OPERATING VOLTAGE	460V/3PH/60Hz
CONTROL VOLTAGE	120VAC
HOIST MOTOR (MAIN) HP	26.8
TROLLEY MOTOR HP	2.0
TROLLEY MOTOR QTY	1
BASE WEIGHT OF HOIST (LBS)	3131

This drawing is intended for preliminary reference use only and depicts general clearance dimensions based on standard product configuration. If your application includes specific critical dimensional constraints it is recommended that an Approval Drawing be required at time of order.

Dimensional Units
INCH



Third Angle Projection

Modeled:	11/19/2018	SRCCE
Drawn:	11/19/2018	SRCCE
Approved:		
Design Authority:		
Original project:		
Original Scale:	1:24	

VARIABLE SPEED

Description:
CLEARANCE DIAGRAM
15 TON 28 FT LIFT S4 REEVING 20 FT/MIN

Format	Number:	Sheet
B	YKD-L15-028S420-V	2

ECN	Rev.	Description of change	Date	By
-	-	-	-	-
-	-	-	-	-
-	-	-	-	-