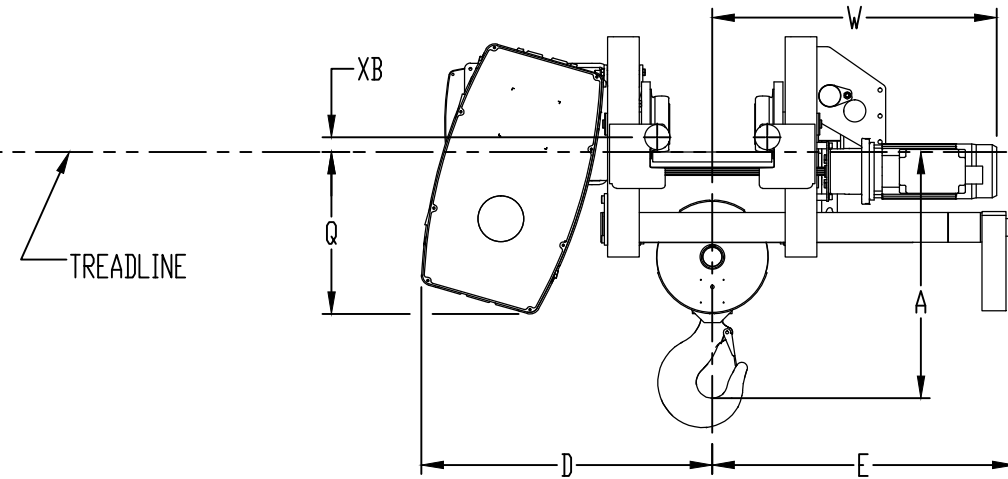
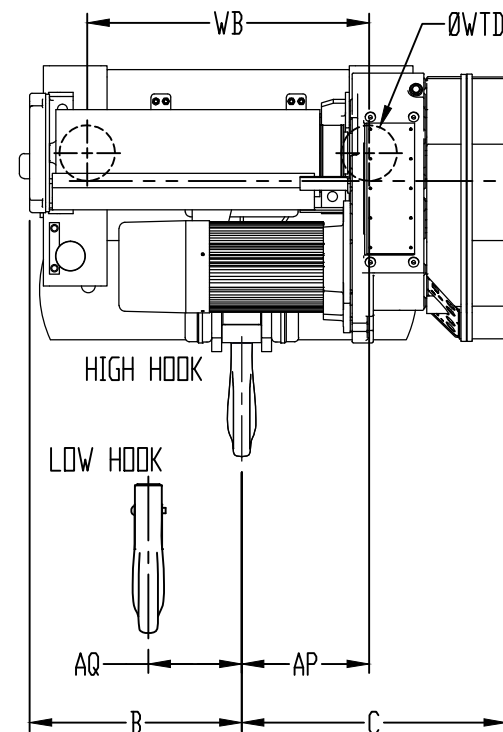
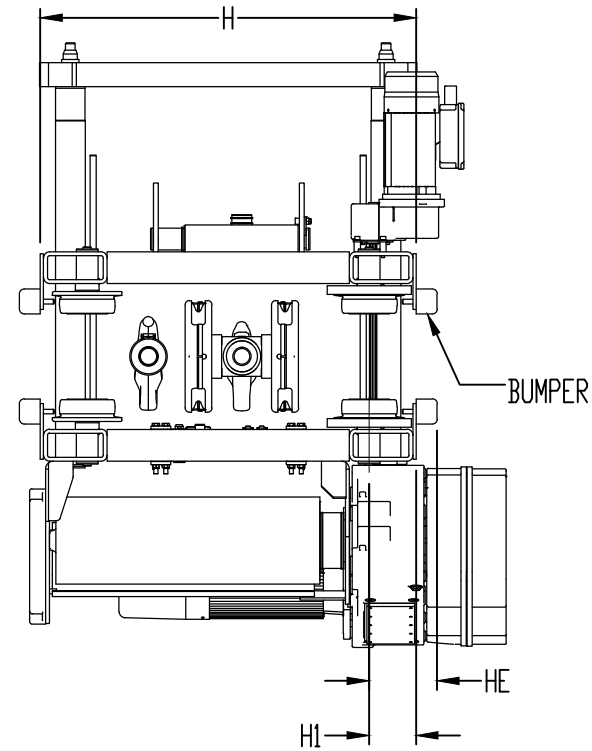


ACTUAL FLANGE WIDTH SETTING (IN)	4.680	5.700	6.900	7.900	8.900	9.850	10.800	12.250	12.800	13.780	14.800	15.750	16.700	17.750	18.700	19.700
MINIMUM HEADROOM DIMENSION "A" (IN)	33.27	32.95	32.76	32.60	32.52	32.44	32.58	32.80	33.43	34.55	35.72	36.81	37.99	39.30	40.49	41.73

TECHNICAL DATA	
HOIST PLATFORM	GN WIRE ROPE HOIST
HOIST MODEL NUMBER	YKC-L15-020S425-2
RATED LIFT CAPACITY	15 U.S. TON
ACTUAL LIFT DISTANCE	20 FT (6.1 M)
MAXIMUM LIFTING SPEED	25 FT/MIN (7.6 M/MIN)
REEVING STYLE	4-PART SINGLE-REEVED
HOIST CONTROL TYPE	TWO-SPEED
HOIST SUSPENSION TYPE	UNDERHUNG MOTORIZED TROLLEY
TROLLEY TRAVERSE SPEED	80 FT/MIN (24.38 M/MIN)
TROLLEY CONTROL TYPE	TWO-SPEED
TROLLEY BUMPERS	INCLUDED
HOIST DUTY CLASSIFICATION	H3
OPERATING VOLTAGE	460V/3PH/60Hz
CONTROL VOLTAGE	120VAC
HOIST MOTOR (MAIN) HP	26.8
TROLLEY MOTOR HP	2.0
TROLLEY MOTOR QTY.	1
BASE WEIGHT OF HOIST (LBS)	1922

FLANGE ADJUSTMENT RANGES
4.680" - 5.700"
5.701" - 7.900"
7.901" - 9.850"
9.851" - 12.250"
12.251" - 15.750"
15.751" - 19.700"

DIMENSIONAL DATA	
B	21.02 INCH
C	26.22 INCH
D*	28.83 INCH
E*	31.08 INCH
Q	16.05 INCH
W*	28.20 INCH
WTD	5.51 INCH
WB	27.95 INCH
H	37.24 INCH
H1	4.65 INCH
HE	6.73 INCH
XB	1.46 INCH
AP	12.64 INCH
AQ	4.65 INCH



NOTE:

\* DIMENSIONS D, E, AND W ARE SHOWN FOR A BEAM FLANGE WIDTH 8.00 INCHES. THESE DIMENSIONS ARE MEASURED FROM CAD MODELS AND CONSIDERED AS APPROXIMATE VALUES.

This drawing is intended for preliminary reference use only and depicts general clearance dimensions based on standard product configuration. If your application includes specific critical dimensional constraints it is recommended that an Approval Drawing be required at time of order.

Dimensional Units  
INCH

Third Angle Projection

Modeled:	11/12/2018	SRCCE
Drawn:	11/12/2018	SRCCE
Approved:		
Design Authority:		
Original project:		
Original Scale:	1:18	

**2-SPEED**

Description:  
**CLEARANCE DIAGRAM**  
15 TON 20 FT LIFT S4 REEVING 25 FT/MIN

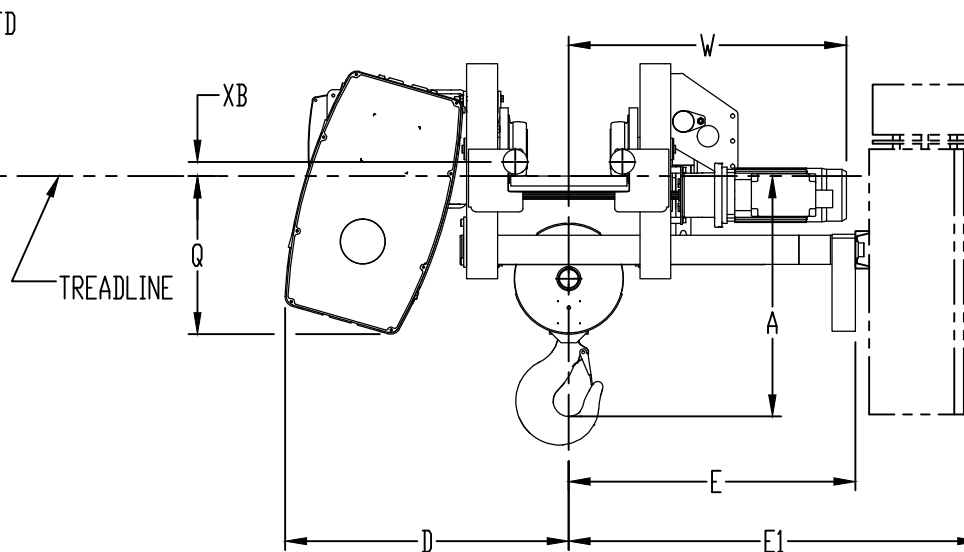
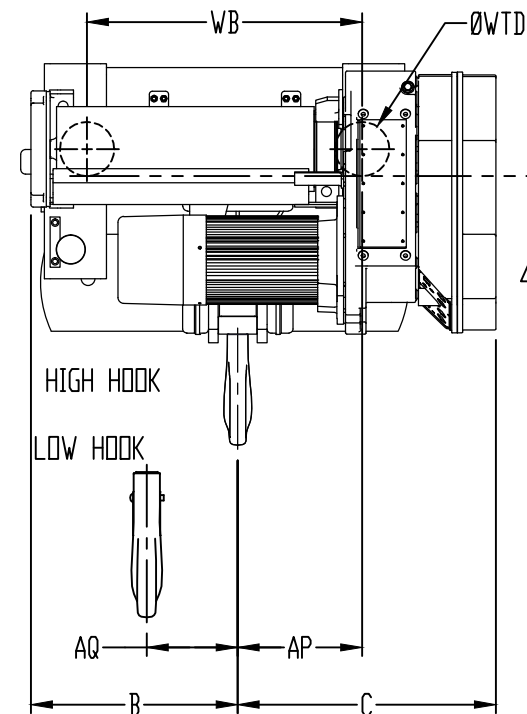
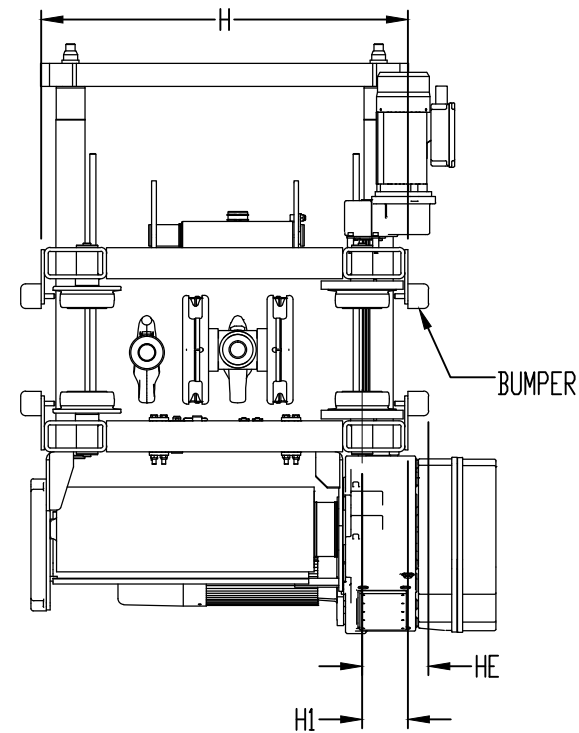
Format	Number:	Sheet
<b>B</b>	<b>YKC-L15-020S425-2</b>	<b>1</b>

ECN	Rev.	Description of change	Date	By
-	-	-	-	-
-	-	-	-	-
-	-	-	-	-

ACTUAL FLANGE WIDTH SETTING (IN)	4.680	5.700	6.900	7.900	8.900	9.850	10.800	12.250	12.800	13.780	14.800	15.750	16.700	17.750	18.700	19.700
MINIMUM HEADROOM DIMENSION "A" (IN)	33.27	32.95	32.76	32.60	32.52	32.44	32.58	32.80	33.43	34.55	35.72	36.81	37.99	39.30	40.49	41.73

FLANGE ADJUSTMENT RANGES
4.680" - 5.700"
5.701" - 7.900"
7.901" - 9.850"
9.851" - 12.250"
12.251" - 15.750"
15.751" - 19.700"

DIMENSIONAL DATA	
B	21.02 INCH
C	26.22 INCH
D*	28.83 INCH
E*	29.11 INCH
E1*	39.55 INCH
Q	16.05 INCH
W*	28.20 INCH
WTD	5.51 INCH
WB	27.95 INCH
H	37.24 INCH
H1	4.65 INCH
HE	6.73 INCH
XB	1.46 INCH
AP	12.64 INCH
AQ	4.65 INCH



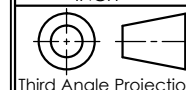
TECHNICAL DATA	
HOIST PLATFORM	GN WIRE ROPE HOIST
HOIST MODEL NUMBER	YKC-L15-020S425-V
RATED LIFT CAPACITY	15 U.S. TON
ACTUAL LIFT DISTANCE	20 FT (6.1 M)
MAXIMUM LIFTING SPEED	25 FT/MIN (7.6 M/MIN)
REEVING STYLE	4-PART SINGLE-REEVED
HOIST CONTROL TYPE	VARIABLE SPEED
HOIST SUSPENSION TYPE	UNDERHUNG MOTORIZED TROLLEY
TROLLEY TRAVERSE SPEED	80 FT/MIN (24.38 M/MIN)
TROLLEY CONTROL TYPE	TWO-SPEED
TROLLEY BUMPERS	INCLUDED
HOIST DUTY CLASSIFICATION	H3
OPERATING VOLTAGE	460V/3PH/60Hz
CONTROL VOLTAGE	120VAC
HOIST MOTOR (MAIN) HP	26.8
TROLLEY MOTOR HP	2.0
TROLLEY MOTOR QTY.	1
BASE WEIGHT OF HOIST (LBS)	1922

NOTE:

\* DIMENSIONS D, E, E1 AND W ARE SHOWN FOR A BEAM FLANGE WIDTH 8.00 INCHES. THESE DIMENSIONS ARE MEASURED FROM CAD MODELS AND CONSIDERED AS APPROXIMATE VALUES.

This drawing is intended for preliminary reference use only and depicts general clearance dimensions based on standard product configuration. If your application includes specific critical dimensional constraints it is recommended that an Approval Drawing be required at time of order.

Dimensional Units  
INCH



Third Angle Projection

Modeled:	11/21/2018	SRCCE
Drawn:	11/21/2018	SRCCE
Approved:		
Design Authority:		
Original project:		
Original Scale:	1:18	

**VARIABLE SPEED**

Description:  
**CLEARANCE DIAGRAM**  
15 TON 20 FT LIFT S4 REEVING 25 FT/MIN

Format	Number:	Sheet
<b>B</b>	<b>YKC-L15-020S425-V</b>	<b>2</b>

ECN	Rev.	Description of change	Date	By
-	-	-	-	-
-	-	-	-	-
-	-	-	-	-