

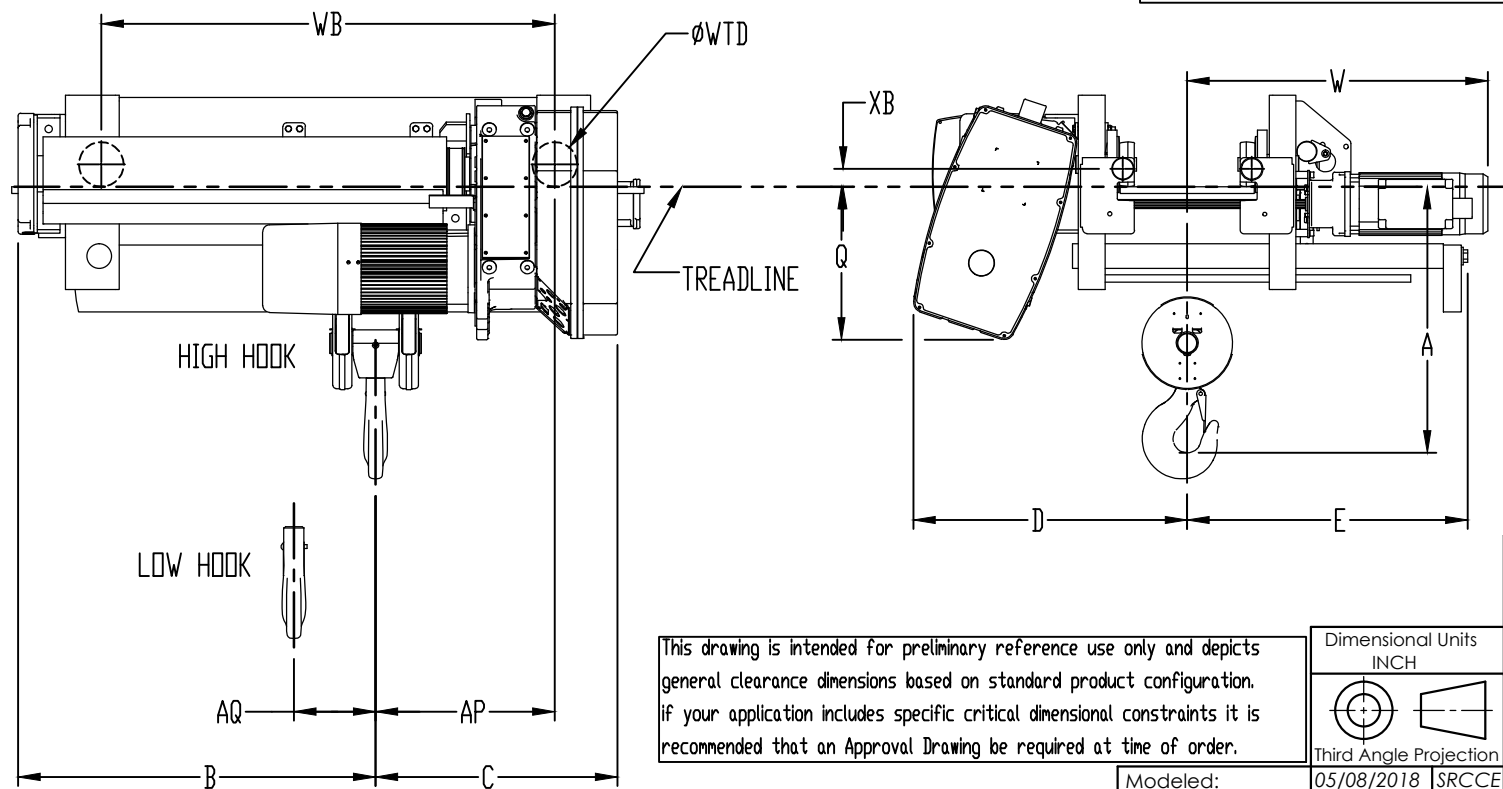
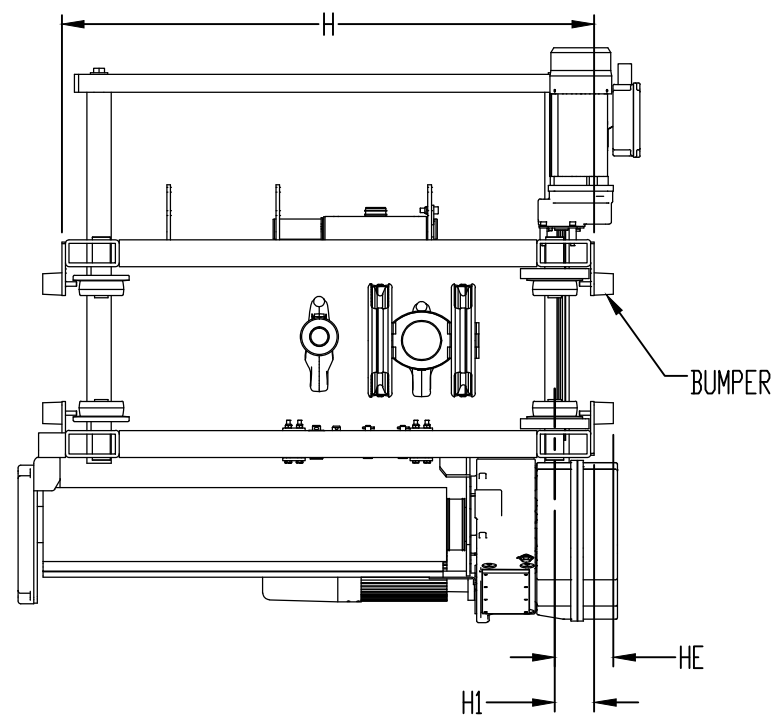
| | | | | | | | | | | | | | | | | | |
|-------------------------------------|-------|-------|-------|-------|-------|-------|-------|-------|-------|-------|-------|-------|-------|-------|-------|-------|-------|
| ACTUAL FLANGE WIDTH SETTING (IN) | 3.50 | 4.90 | 5.70 | 6.90 | 7.70 | 8.90 | 9.85 | 10.80 | 12.05 | 12.80 | 13.78 | 14.80 | 15.75 | 16.70 | 17.75 | 18.70 | 19.70 |
| MINIMUM HEADROOM DIMENSION "A" (IN) | 26.57 | 26.50 | 26.46 | 26.76 | 26.97 | 27.65 | 28.19 | 28.80 | 29.61 | 30.51 | 31.69 | 32.92 | 34.06 | 35.20 | 36.46 | 37.59 | 38.78 |

| FLANGE ADJUSTMENT RANGES |
|--------------------------|
| 3.500" - 5.700" |
| 5.701" - 7.700" |
| 7.701" - 9.850" |
| 9.851" - 12.050" |
| 12.051" - 13.780" |
| 13.781" - 15.750" |
| 15.751" - 17.750" |
| 17.751" - 19.700" |

| DIMENSIONAL DATA | |
|------------------|------------|
| B | 19.38 INCH |
| C | 21.83 INCH |
| D* | 24.13 INCH |
| E* | 24.70 INCH |
| Q | 13.53 INCH |
| W* | 26.50 INCH |
| WTD | 3.94 INCH |
| WB | 22.44 INCH |
| H | 29.37 INCH |
| H1 | 3.54 INCH |
| HE | 5.08 INCH |
| XB | 1.54 INCH |
| AP | 9.88 INCH |
| AQ | 4.33 INCH |

NOTE:

* DIMENSIONS D, E, AND W ARE SHOWN FOR A BEAM FLANGE WIDTH 8.00 INCHES. THESE DIMENSIONS ARE MEASURED FROM CAD MODELS AND CONSIDERED AS APPROXIMATE VALUES.



This drawing is intended for preliminary reference use only and depicts general clearance dimensions based on standard product configuration. If your application includes specific critical dimensional constraints it is recommended that an Approval Drawing be required at time of order.

Dimensional Units
INCH
Third Angle Projection

| | | |
|-------------------|------------|-------|
| Modeled: | 05/08/2018 | SRCCE |
| Drawn: | 05/08/2018 | SRCCE |
| Approved: | | |
| Design Authority: | | |
| Original project: | | |
| Original Scale: | 1:16 | |

| TECHNICAL DATA | |
|----------------------------|-----------------------------|
| HOIST PLATFORM | GN WIRE ROPE HOIST |
| HOIST MODEL NUMBER | YKB-L06-L07-020S416-2 |
| RATED LIFT CAPACITY | 6 AND 7.5 U.S. TON |
| ACTUAL LIFT DISTANCE | 20 FT (6.1 M) |
| MAXIMUM LIFTING SPEED | 16 FT/MIN (4.9 M/MIN) |
| REEVING STYLE | 4-PART SINGLE-REEVED |
| HOIST CONTROL TYPE | TWO-SPEED |
| HOIST SUSPENSION TYPE | UNDERHUNG MOTORIZED TROLLEY |
| TROLLEY TRAVERSE SPEED | 80 FT/MIN (24.38 M/MIN) |
| TROLLEY CONTROL TYPE | TWO-SPEED |
| TROLLEY BUMPERS | INCLUDED |
| HOIST DUTY CLASSIFICATION | H4/M4+ |
| OPERATING VOLTAGE | 460V/3PH/60HZ |
| CONTROL VOLTAGE | 120VAC |
| HOIST MOTOR (MAIN) HP | 7.80 |
| TROLLEY MOTOR HP | 0.6 AND 0.9 |
| TROLLEY MOTOR QTY | 1 |
| BASE WEIGHT OF HOIST (LBS) | 727.32 |

2- SPEED

Description:
CLEARANCE DIAGRAM
6 AND 7.5 TON 20 FT LIFT S4 REEVING 16 FT/MIN

| ECN | Rev. | Description of change | Date | By |
|-----|------|-----------------------|------|----|
| - | - | - | - | - |
| - | - | - | - | - |
| - | - | - | - | - |

| | | |
|----------|------------------------------|----------|
| Format | Number: | Sheet |
| B | YKB-L06-L07-020S416-2 | 1 |

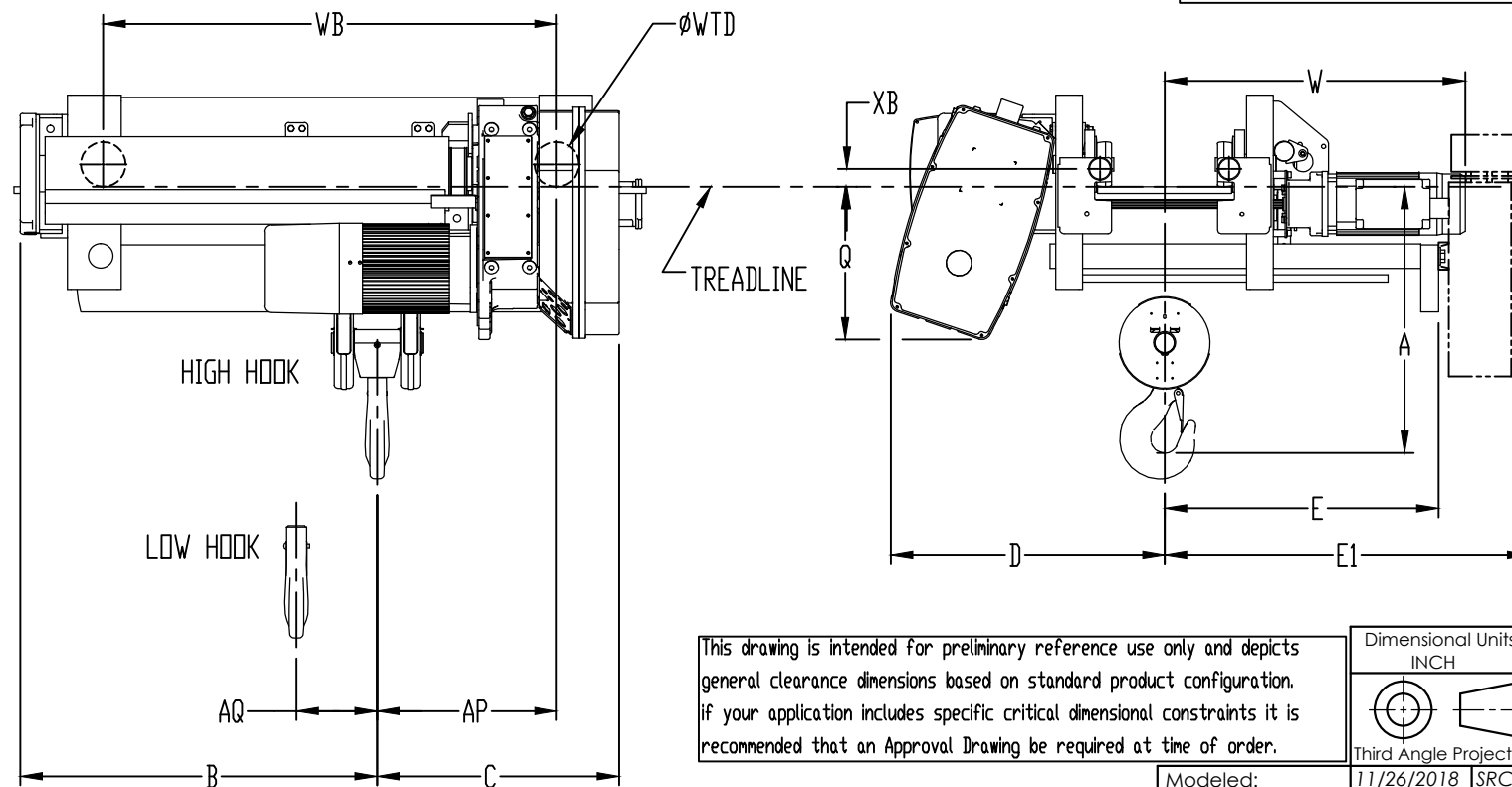
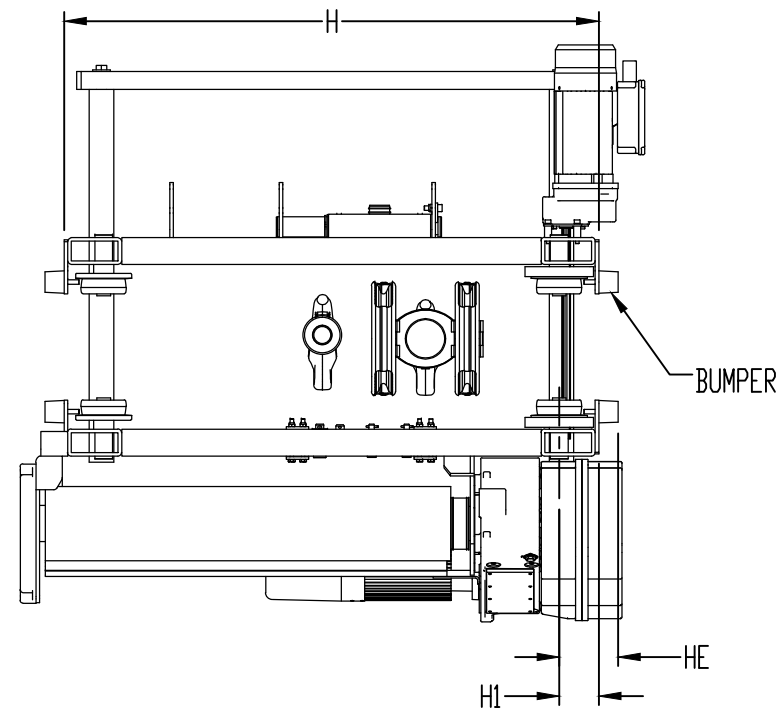
| | | | | | | | | | | | | | | | | | |
|-------------------------------------|-------|-------|-------|-------|-------|-------|-------|-------|-------|-------|-------|-------|-------|-------|-------|-------|-------|
| ACTUAL FLANGE WIDTH SETTING (IN) | 3.50 | 4.90 | 5.70 | 6.90 | 7.70 | 8.90 | 9.85 | 10.80 | 12.05 | 12.80 | 13.78 | 14.80 | 15.75 | 16.70 | 17.75 | 18.70 | 19.70 |
| MINIMUM HEADROOM DIMENSION "A" (IN) | 26.57 | 26.50 | 26.46 | 26.76 | 26.97 | 27.65 | 28.19 | 28.80 | 29.61 | 30.51 | 31.69 | 32.92 | 34.06 | 35.20 | 36.46 | 37.59 | 38.78 |

| FLANGE ADJUSTMENT RANGES |
|--------------------------|
| 3.500" - 5.700" |
| 5.701" - 7.700" |
| 7.701" - 9.850" |
| 9.851" - 12.050" |
| 12.051" - 13.780" |
| 13.781" - 15.750" |
| 15.751" - 17.750" |
| 17.751" - 19.700" |

| DIMENSIONAL DATA | |
|------------------|------------|
| B | 19.38 INCH |
| C | 21.83 INCH |
| D* | 24.13 INCH |
| E* | 24.15 INCH |
| E1* | 34.59 INCH |
| Q | 13.53 INCH |
| W* | 26.50 INCH |
| WTD | 3.94 INCH |
| WB | 22.44 INCH |
| H | 29.37 INCH |
| H1 | 3.54 INCH |
| HE | 5.08 INCH |
| XB | 1.54 INCH |
| AP | 9.88 INCH |
| AQ | 4.33 INCH |

NOTE:

* DIMENSIONS D, E, E1 AND W ARE SHOWN FOR A BEAM FLANGE WIDTH 8.00 INCHES. THESE DIMENSIONS ARE MEASURED FROM CAD MODELS AND CONSIDERED AS APPROXIMATE VALUES.



This drawing is intended for preliminary reference use only and depicts general clearance dimensions based on standard product configuration. If your application includes specific critical dimensional constraints it is recommended that an Approval Drawing be required at time of order.

Dimensional Units
INCH



Third Angle Projection

Modeled: 11/26/2018 SRCCE

Drawn: 11/26/2018 SRCCE

Approved:

Design Authority:

Original project:

Original Scale: 1:16

| TECHNICAL DATA | |
|----------------------------|-----------------------------|
| HOIST PLATFORM | GN WIRE ROPE HOIST |
| HOIST MODEL NUMBER | YKB-L06-L07-020S416-V |
| RATED LIFT CAPACITY | 6 AND 7.5 U.S. TON |
| ACTUAL LIFT DISTANCE | 20 FT (6.1 M) |
| MAXIMUM LIFTING SPEED | 16 FT/MIN (4.9 M/MIN) |
| REEVING STYLE | 4-PART SINGLE-REEVED |
| HOIST CONTROL TYPE | VARIABLE SPEED |
| HOIST SUSPENSION TYPE | UNDERHUNG MOTORIZED TROLLEY |
| TROLLEY TRAVERSE SPEED | 80 FT/MIN (24.38 M/MIN) |
| TROLLEY CONTROL TYPE | TWO-SPEED |
| TROLLEY BUMPERS | INCLUDED |
| HOIST DUTY CLASSIFICATION | H4/M4+ |
| OPERATING VOLTAGE | 460V/3PH/60HZ |
| CONTROL VOLTAGE | 120VAC |
| HOIST MOTOR (MAIN) HP | 7.80 |
| TROLLEY MOTOR HP | 0.6 AND 0.9 |
| TROLLEY MOTOR QTY | 1 |
| BASE WEIGHT OF HOIST (LBS) | 727.32 |

VARIABLE SPEED

Description:
CLEARANCE DIAGRAM
6 AND 7.5 TON 20 FT LIFT S4 REEVING 16 FT/MIN

Format: **B** Number: **YKB-L06-L07-020S416-V** Sheet: **2**

| ECN | Rev. | Description of change | Date | By |
|-----|------|-----------------------|------|----|
| - | - | - | - | - |
| - | - | - | - | - |
| - | - | - | - | - |