

TENANT STORAGE LOCKERS

INSTALLATION INSTRUCTIONS

FGI-384
03/21/23



PART LIST

STARTER	PAGE 4
ADD-ON	PAGE 5,6
SHELF	PAGE 6,7
WALL ATTACHMENT	PAGE 7,8
BACK-TO-BACK ATTACHMENT	PAGE 8
FLOOR ATTACHMENT	PAGE 9
TOPS	PAGE 10
OPTIONAL TAG NUMBER LOCATION	PAGE 10
ADA DOOR	PAGE 11-12

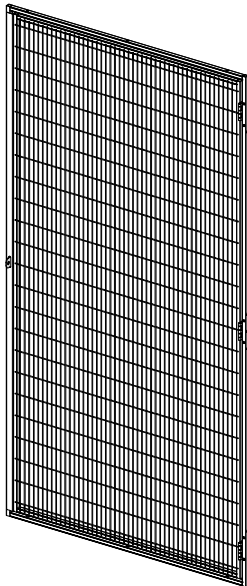


1-100 LABELS
OPTIONAL

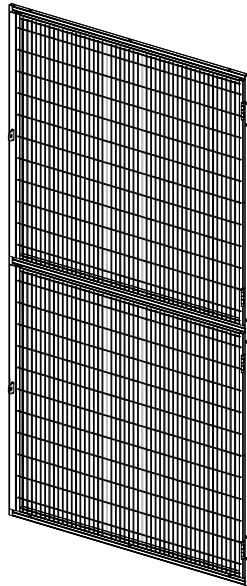


1-50 LABELS
OPTIONAL

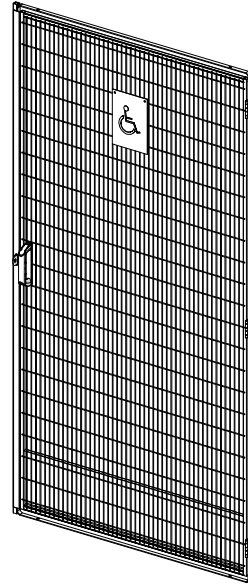
LOCKER DOORS PANELS



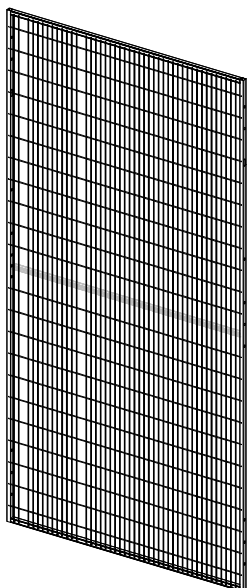
SINGLE TIER



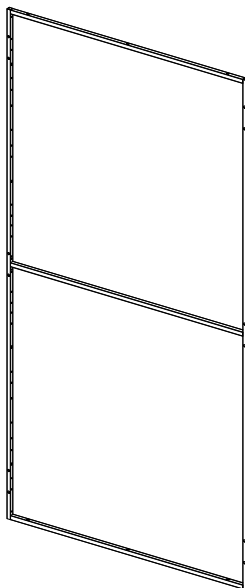
DOUBLE TIER



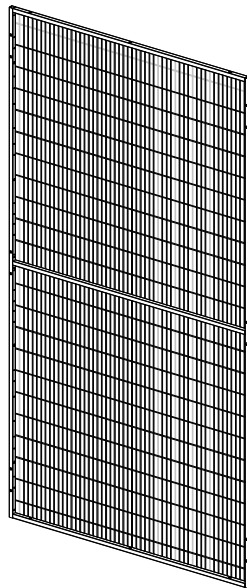
ADA SINGLE TIER
OPTIONAL



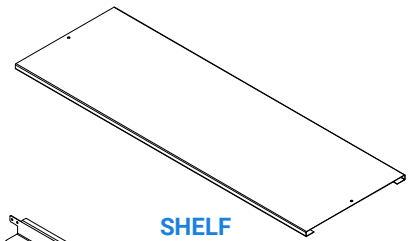
SIDE PANEL



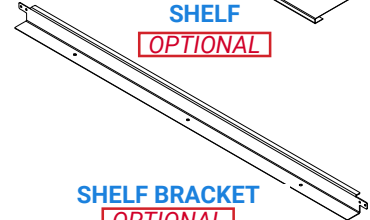
BACK FRAME ONLY



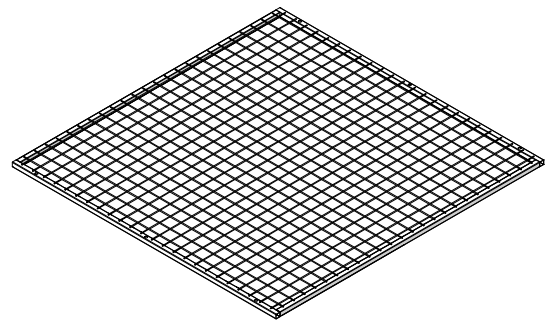
WIRE MESH BACK
OPTIONAL



SHELF
OPTIONAL



SHELF BRACKET
OPTIONAL



TOP PANEL
OPTIONAL

HARDWARE LIST

KT6068-04 OR KT6068-06



A x 4 OR 6



B x 4 OR 6

HARDWARE KIT USE FOR LOCKERS

KT-L2L02

OPTIONAL



L x 2



K x 2

HARDWARE KIT USE FOR LOCKERS BACK TO BACK ATTACHMENT

KT6069-06 OR KT6069-08

OPTIONAL



C x 6



D x 6 OR 8



E x 6 OR 8



F x 6 OR 8

HARDWARE KIT USE FOR LOCKER SHELVES

KT-LWM06 OR KT-LWM04

STARTER UNIT

ADD-ON UNIT



J x 6 OR 4



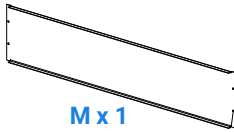
H x 6 OR 4



G x 6 OR 4

HARDWARE KIT USE FOR WALL AND FLOOR MOUNTING

KT-LKPA48



M x 1



N x 4

HARDWARE KIT FOR ADA KICKPLATE

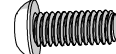
KT-HCSA01



O x 1



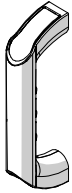
P x 2



Q x 2

HARDWARE KIT FOR ADA SIGN

KT6064



x1



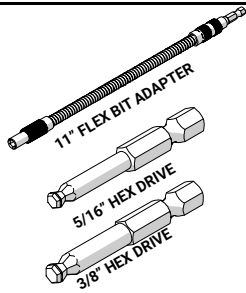
x2



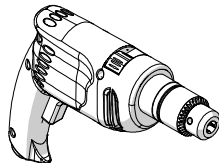
R x 2

HARDWARE KIT FOR PULL HANDLE

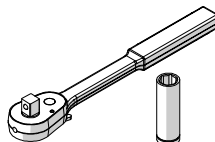
OPTIONAL INSTALLATION KIT



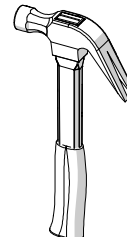
EXTRA HARDWARES INCLUDED



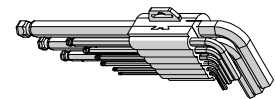
POWER DRILL
5/16" AND 13/64" DRILL BIT
3/8" AND 5/16" HEX DRIVE



SOCKET WRENCH
W/ M13 SOCKET
FOR ADA PULL HANDLE



HAMMER



ALLEN KEY
5/32" FOR SHELVES
3/16" FOR ALL OTHER

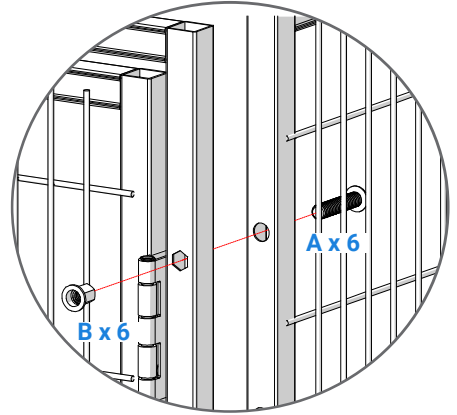
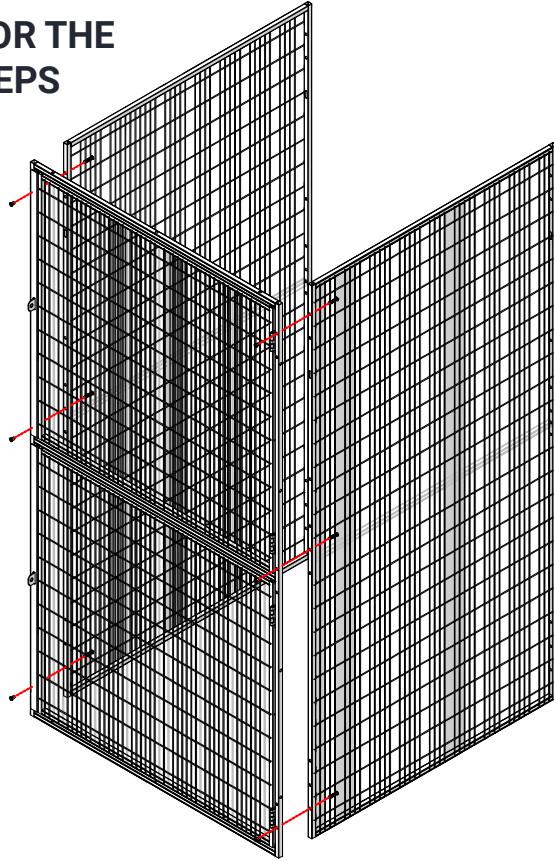
HARDWARE LIST

A	5/16"-18 x 1-1/2" BUTTON HEAD HEX SCREWS
B	5/16"-18 TWIST-RESISTANT RIVET NUT
C	3/16" PIN-DRIVE RIVETS
D	5/8" NYLON SPACER
E	1/4"-20 FLANGE NUT
F	1/4"-20 x 1" FLANGED BUTTON HEAD SCREW
G	#14 X 1" TUBULAR PLASTIC ANCHOR
H	1/4" FLAT WASHER
J	#14 x 2-1/2" FLANGED HEX HEAD SCREWS
K	5/16"-18 SERRATED FLANGE
L	5/16"-18 x 3-1/2" BUTTON HEAD HEX SCREWS
M	SHEET METAL KICK PLATE
N	12-14 X 3/4" HEX WASHER HEAD DRILL AND TAP SCREW
O	WHEELCHAIR SAFETY SIGN
P	6" CABLE TIE
Q	5/16"-18 X 3/4" BUTTON HEAD SOCKET CAP SCREW (FOR ADA LOCKER TOP ATTACHEMENT)
R	M8-1.25 x 30mm ZINC-FINISH HEX CAP SCREW

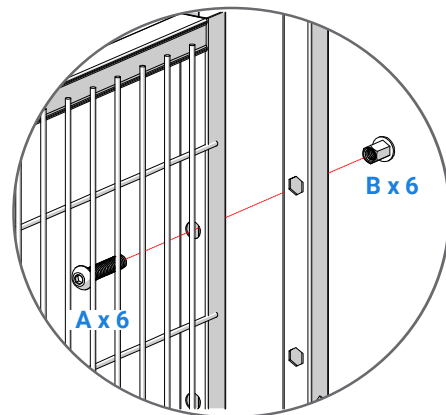
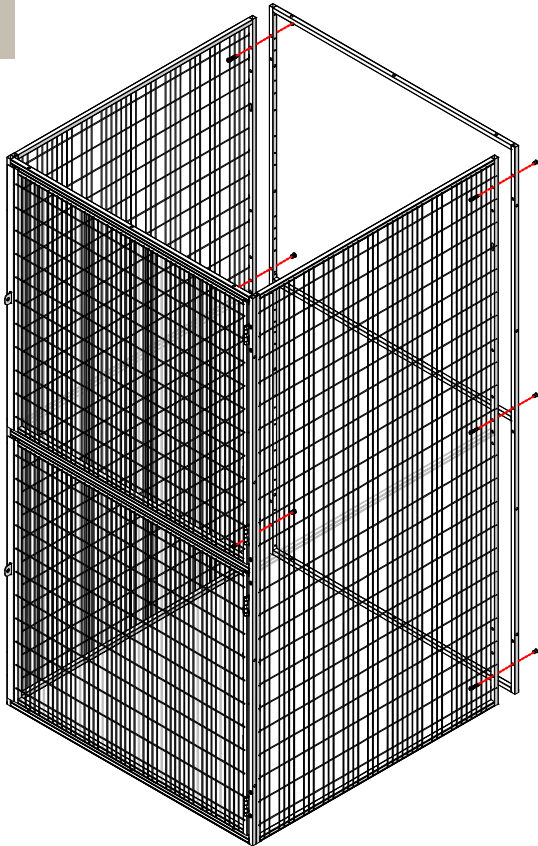
1

LOCKER STARTER INSTRUCTION

USE KT6068-06 FOR THE NEXT TWO STEPS



2

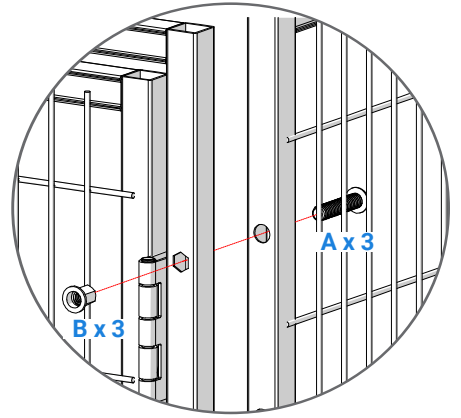
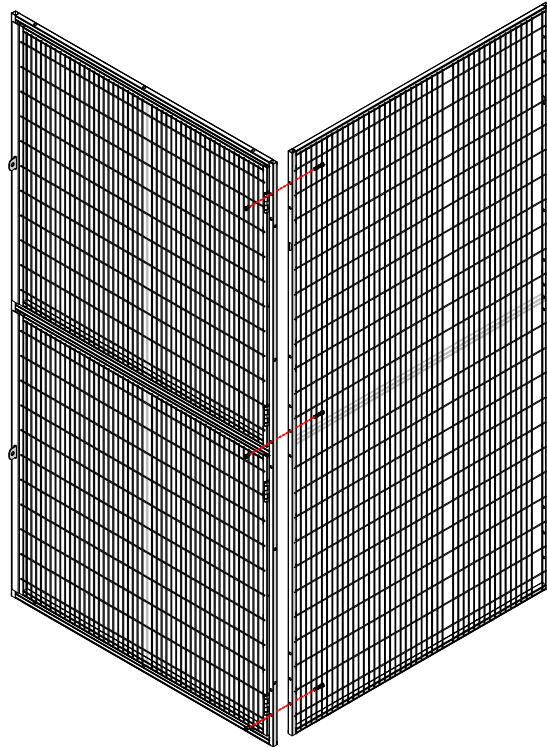


SHOWN WITH FRAME-ONLY BACK;
WIRE MESH BACK IS OPTIONAL

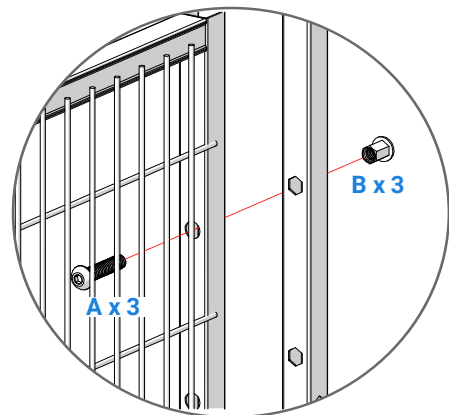
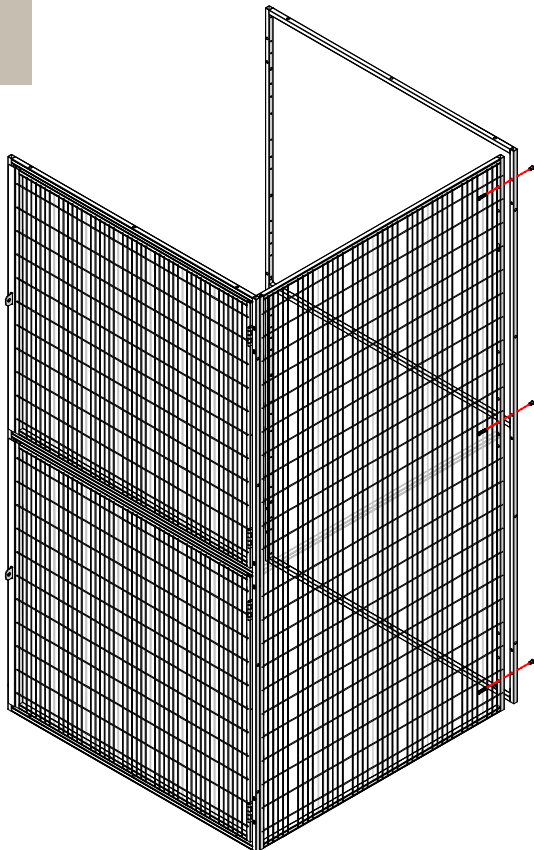
3

LOCKER ADD-ON INSTRUCTION

USE KT6068-06 FOR THE NEXT TWO STEPS



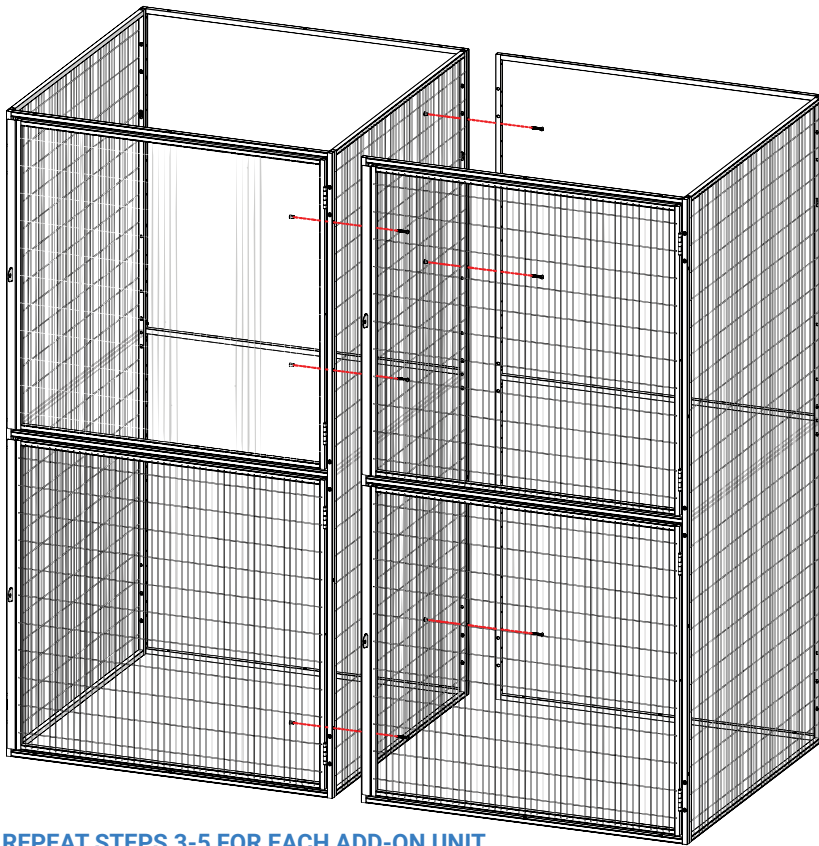
4



SHOWN WITH FRAME-ONLY BACK;
WIRE MESH BACK IS OPTIONAL

5

USE KT6068-06

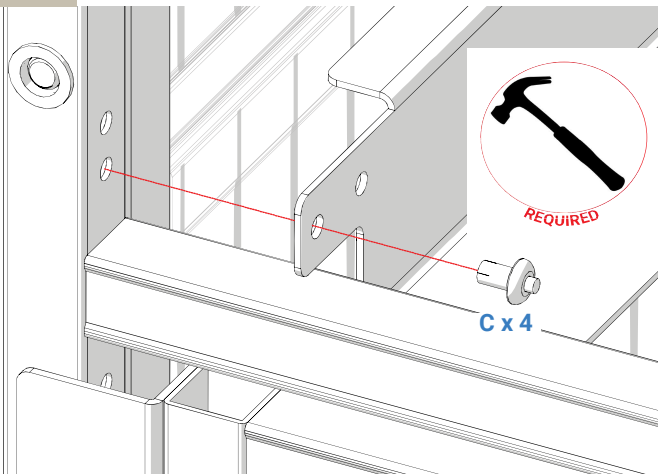


REPEAT STEPS 3-5 FOR EACH ADD-ON UNIT

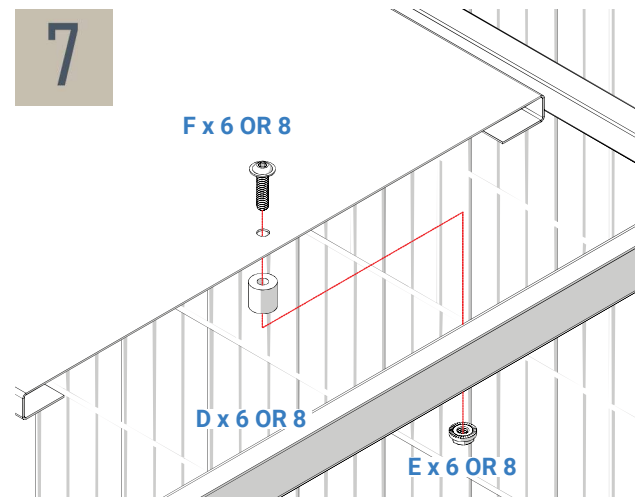
LOCKER SHELF INSTRUCTION

USE KT6069-06 OR KT6069-08

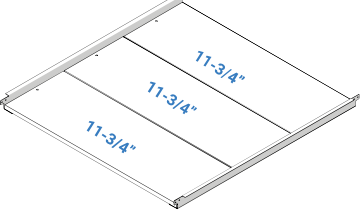
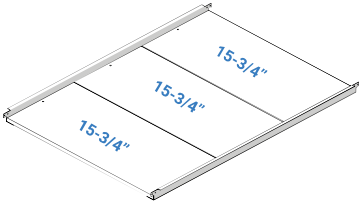
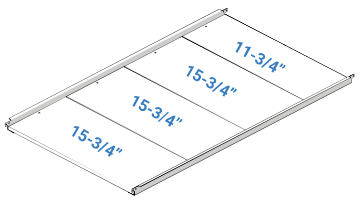
6



7



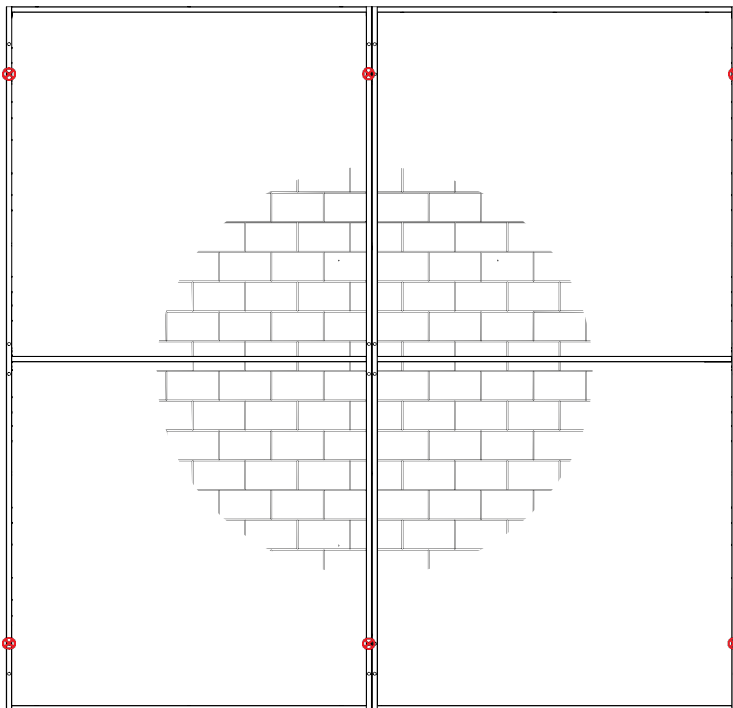
FOR OPTIONAL SHELVES DRILL 13/64 HOLES INTO DOOR FRAME AND BACK FRAME FOR PIN-DRIVE RIVETS

LOCKERS SHELVES			
DEPTH	37"	49"	61"
QTY.	3 x 11-3/4" SHELF	3 x 15-3/4" SHELF	3 x 15-3/4" SHELF & 1 x 11-3/4" SHELF
IMAGE			
SHOWING 34" WIDTH SHELF			

8

LOCKER WALL/FLOOR ATTACHMENT INSTRUCTION

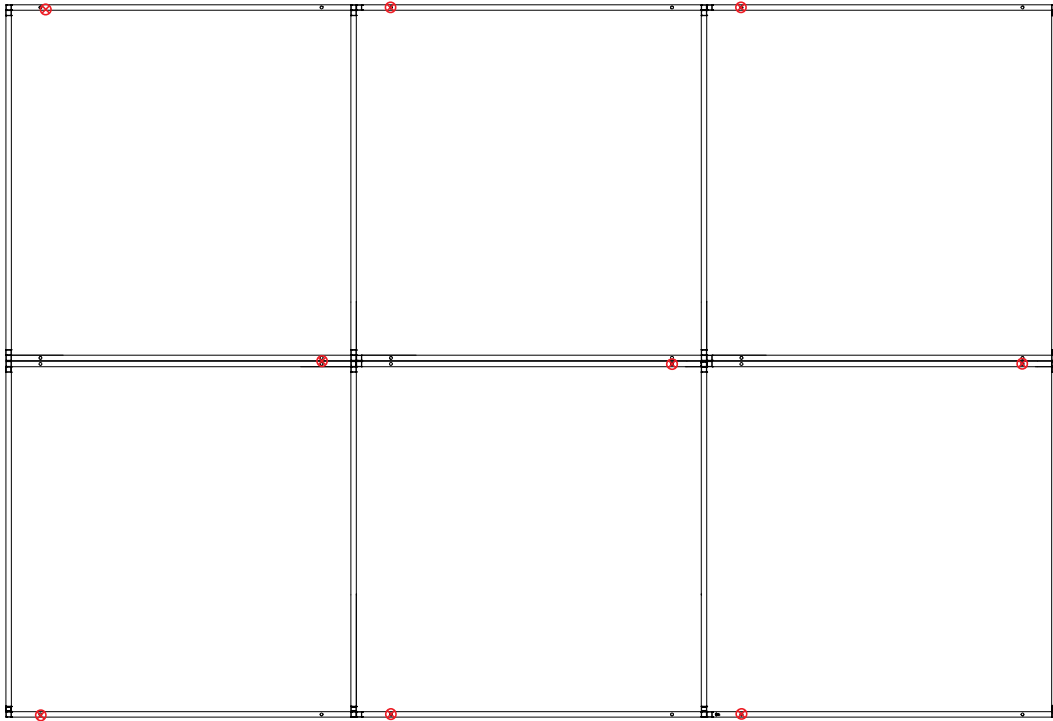
LOCKER ELEVATION



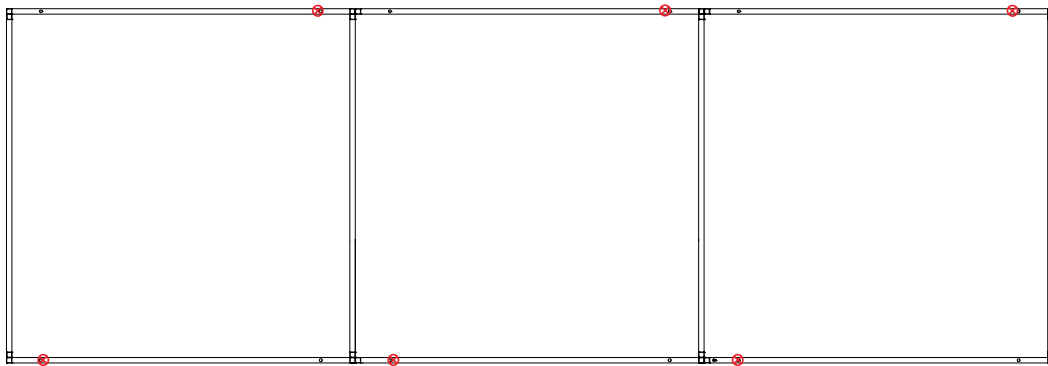
MARK HOLES WITH THE BACK FRAMES AND THEN DRILL MARKED HOLES WITH A 5/16" DRILL BIT TO A DEPTH OF 1-1/2"

LOCKER PLAN

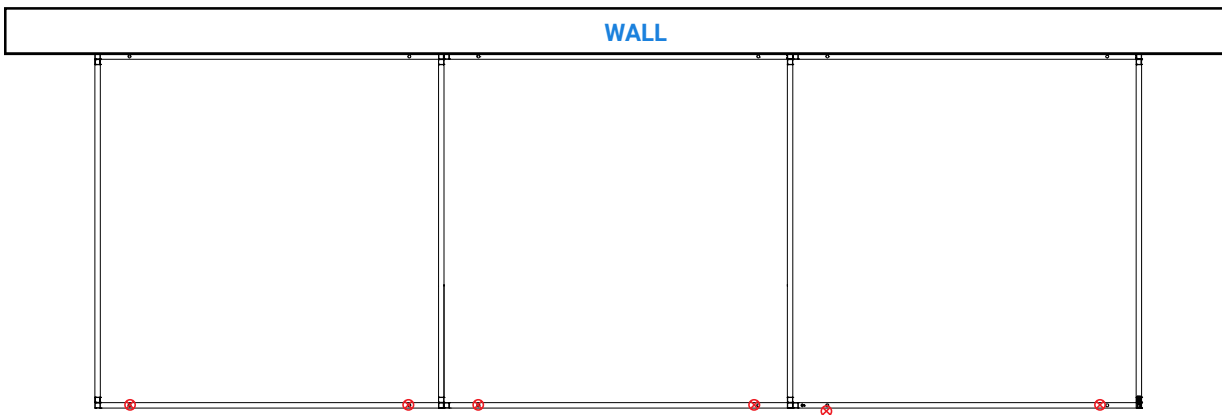
BACK TO BACK LOCKER LAYOUT



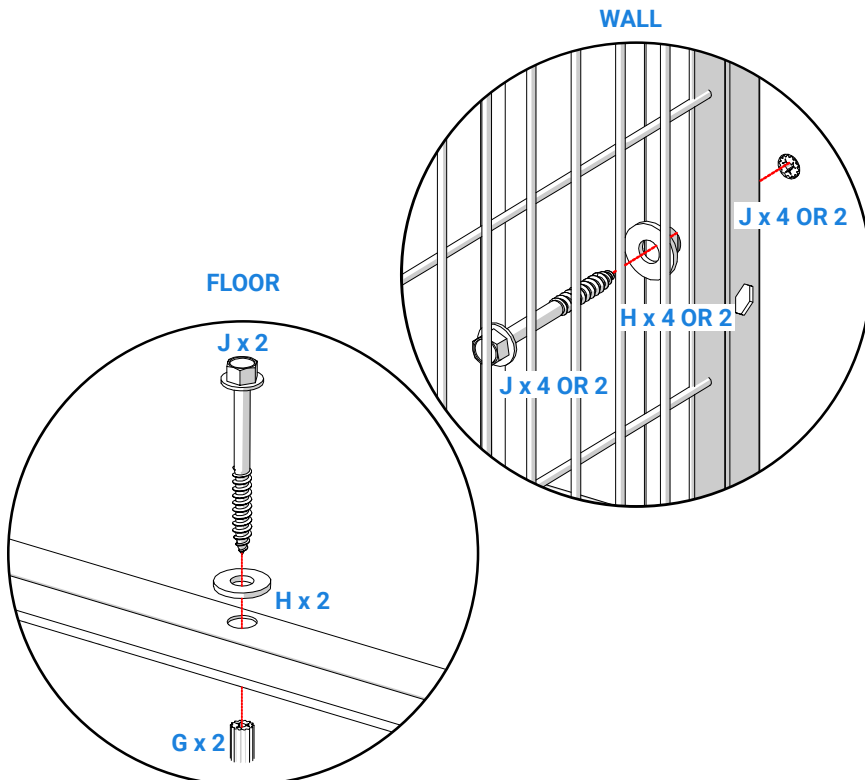
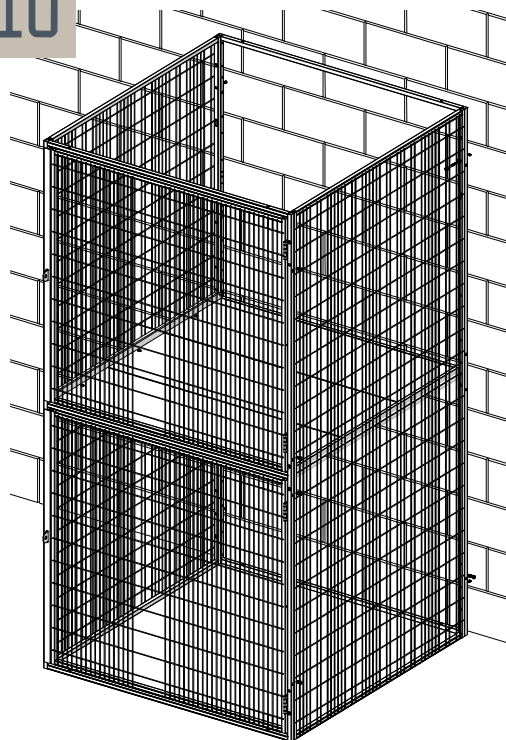
STAND ALONE - SINGLE ROW LAYOUT



WALL - SINGLE ROW LAYOUT



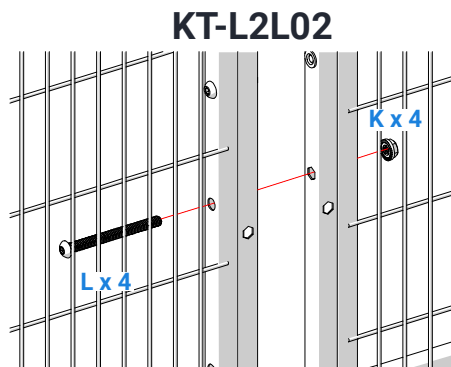
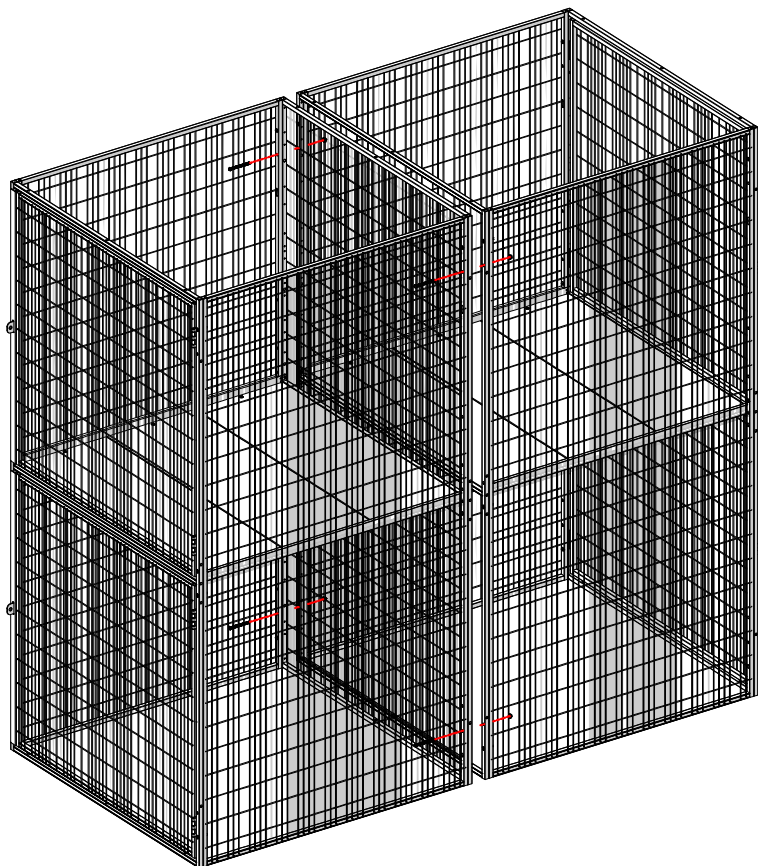
10



KT-LWM06 OR KT-LWM04

11

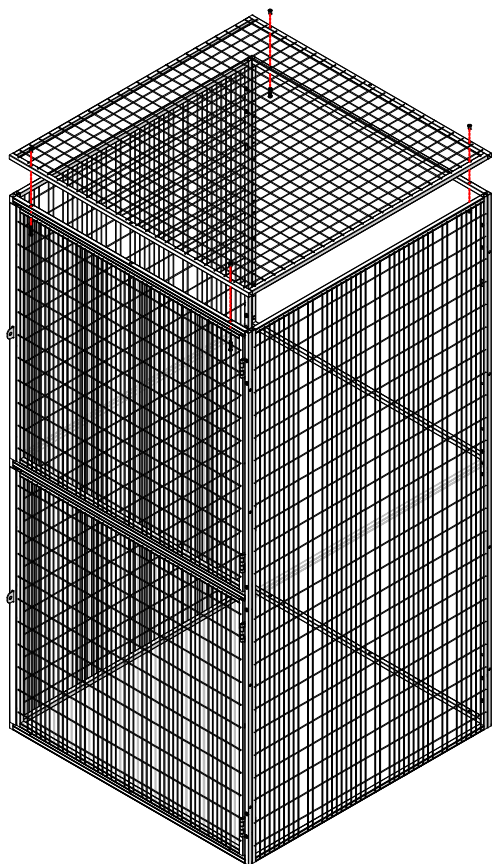
BACK TO BACK OPTIONAL ATTACHMENT INSTRUCTION



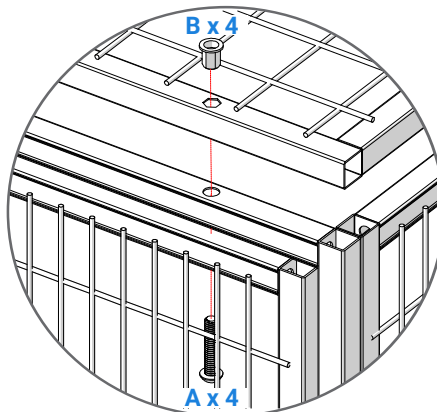
KT-L2L02

12

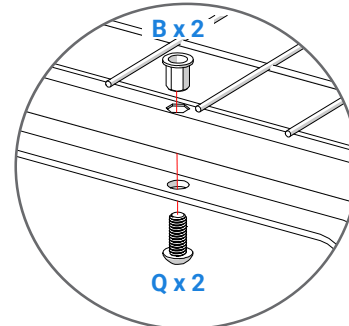
OPTIONAL LOCKER TOP INSTRUCTION



KT6068-4

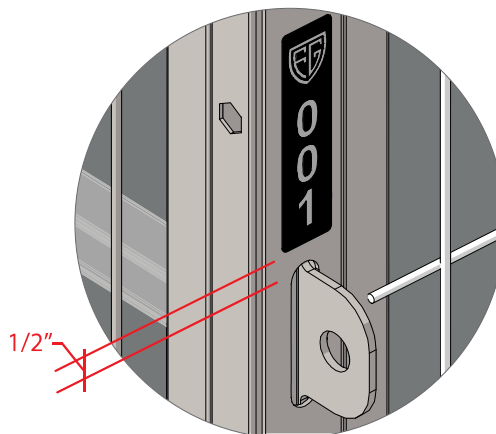


ADA LOCKER
KT-HCSA01

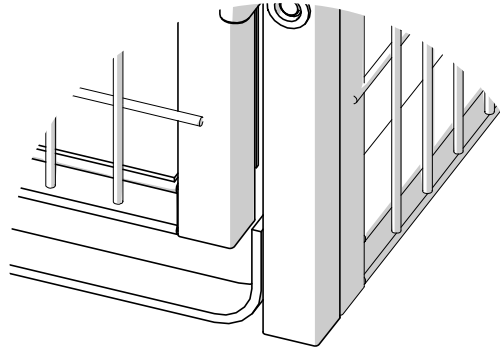
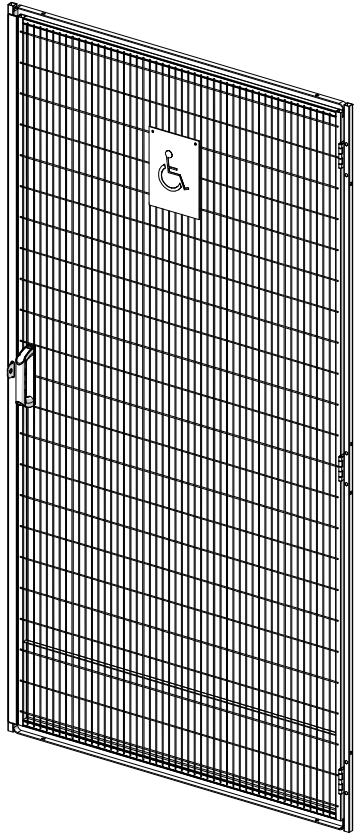


13

OPTIONAL LOCKER TAG PLACEMENT

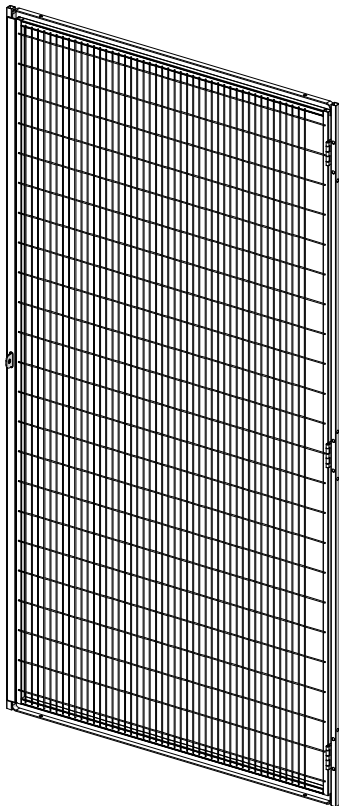


ADA DOOR INSTALLATION INSTRUCTION

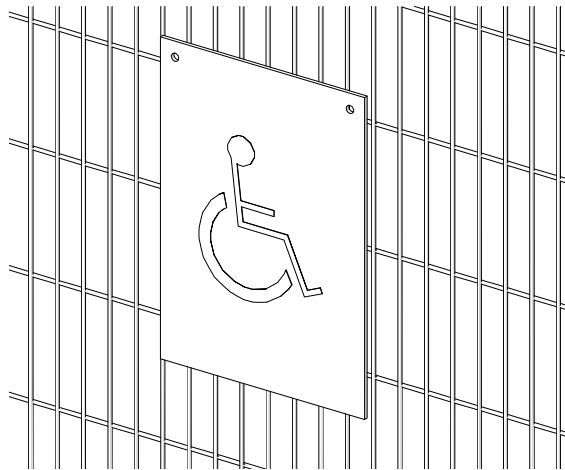


FLAT THRESHOLD FRAME

14

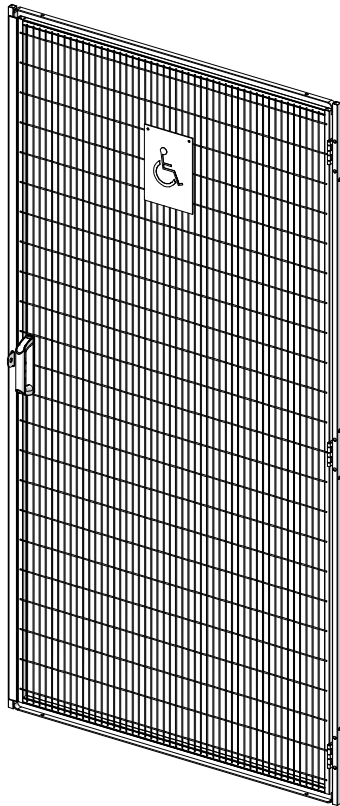


KT-HCSA01

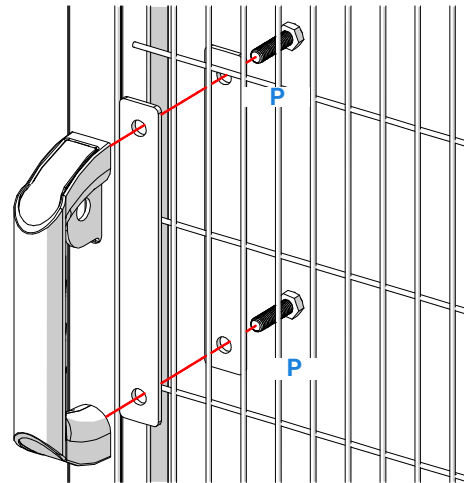


USE THE 6" CABLE TIE TO SECURE THE ADA SIGN ABOUT 3/4 UP THE DOOR

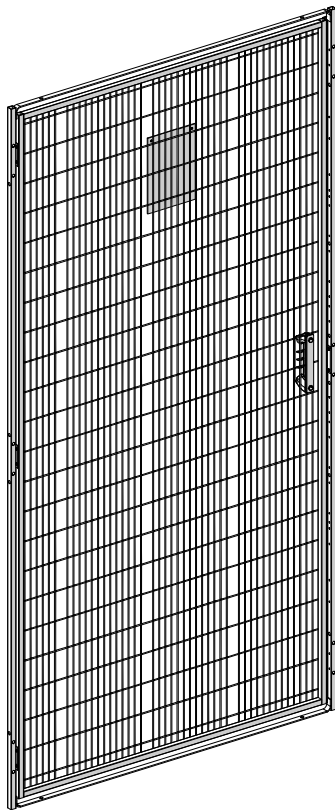
15



KT6064



16



BACKSIDE

KT-LKPA48

INSIDE SHOWN

