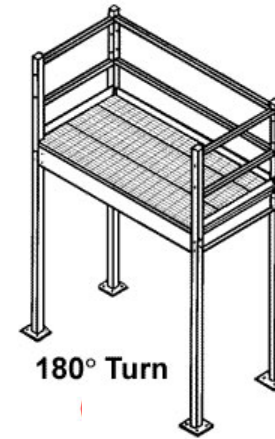
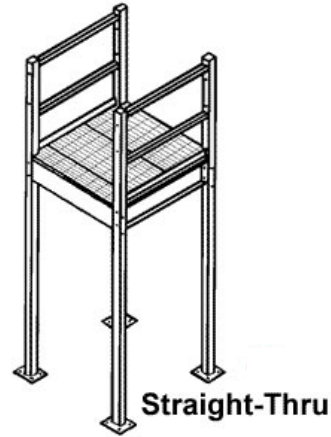


**fsi** industries  
20 Technology Way  
West Greenwich, RI 02817#



# STAIR LANDING ASSEMBLY MANUAL



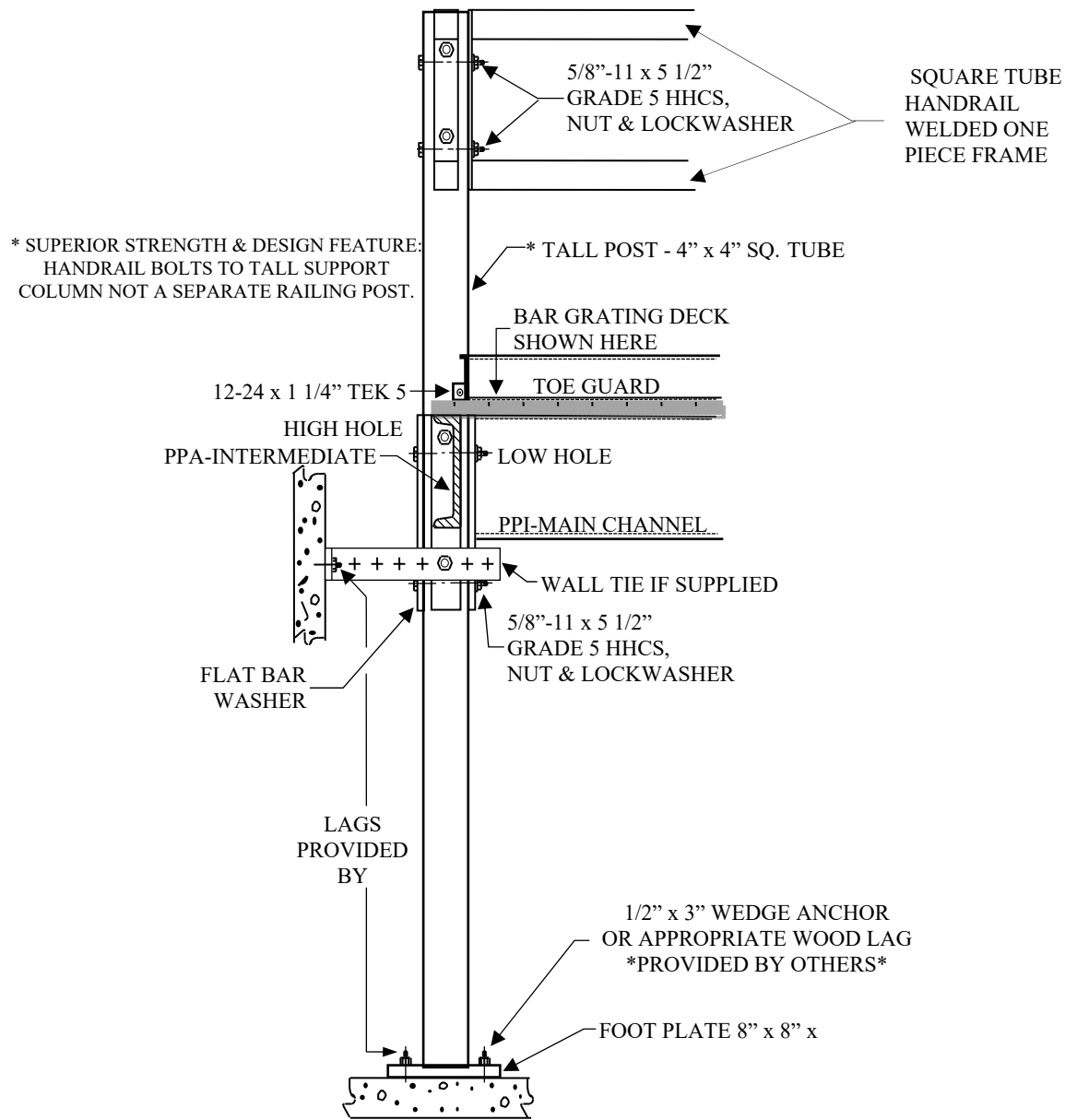
**Powder Coated No Exit Landing**



**Galvanized Exit Left**



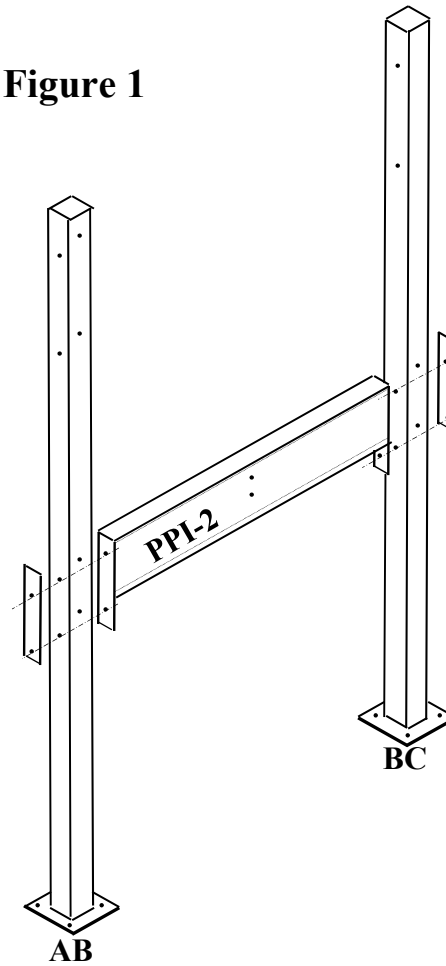
**Aluminum 180° Turn**



Typical Side View Through PPA Channel

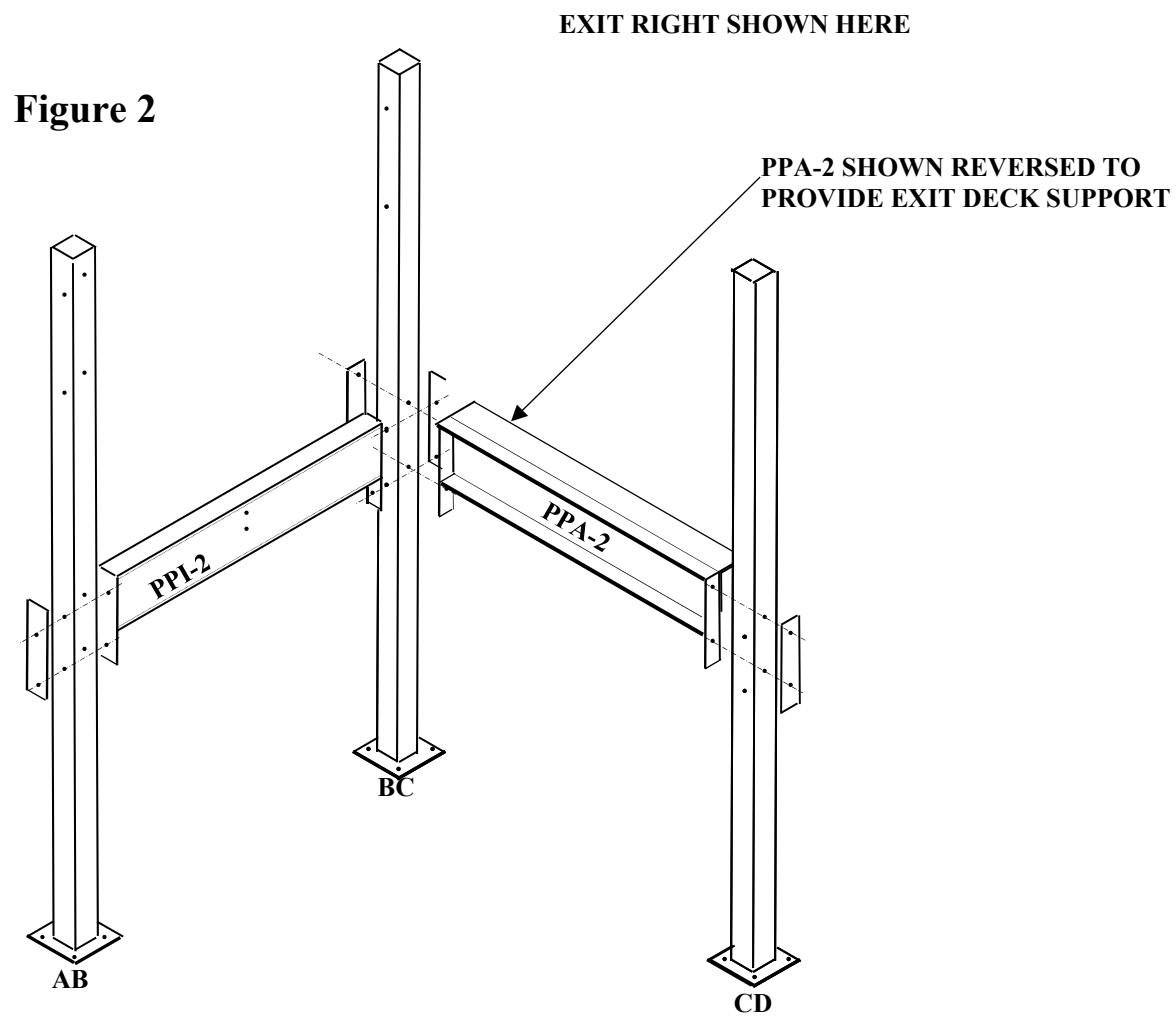
1. Position Post AB on the left end of piece PPI-2 and Post BC on the right end. Note that the flanges of PPI-2 face out (away) as shown in Figure 1.
2. Bolt the piece PPI-2 to the columns using the lower column hole at the deck level using 5/8"-11 x 5-1/2 bolts, lock washers, and nuts.  
Note: Attach flat bar washers to outside face of posts (See Sheet AI3000-2)

**Figure 1**



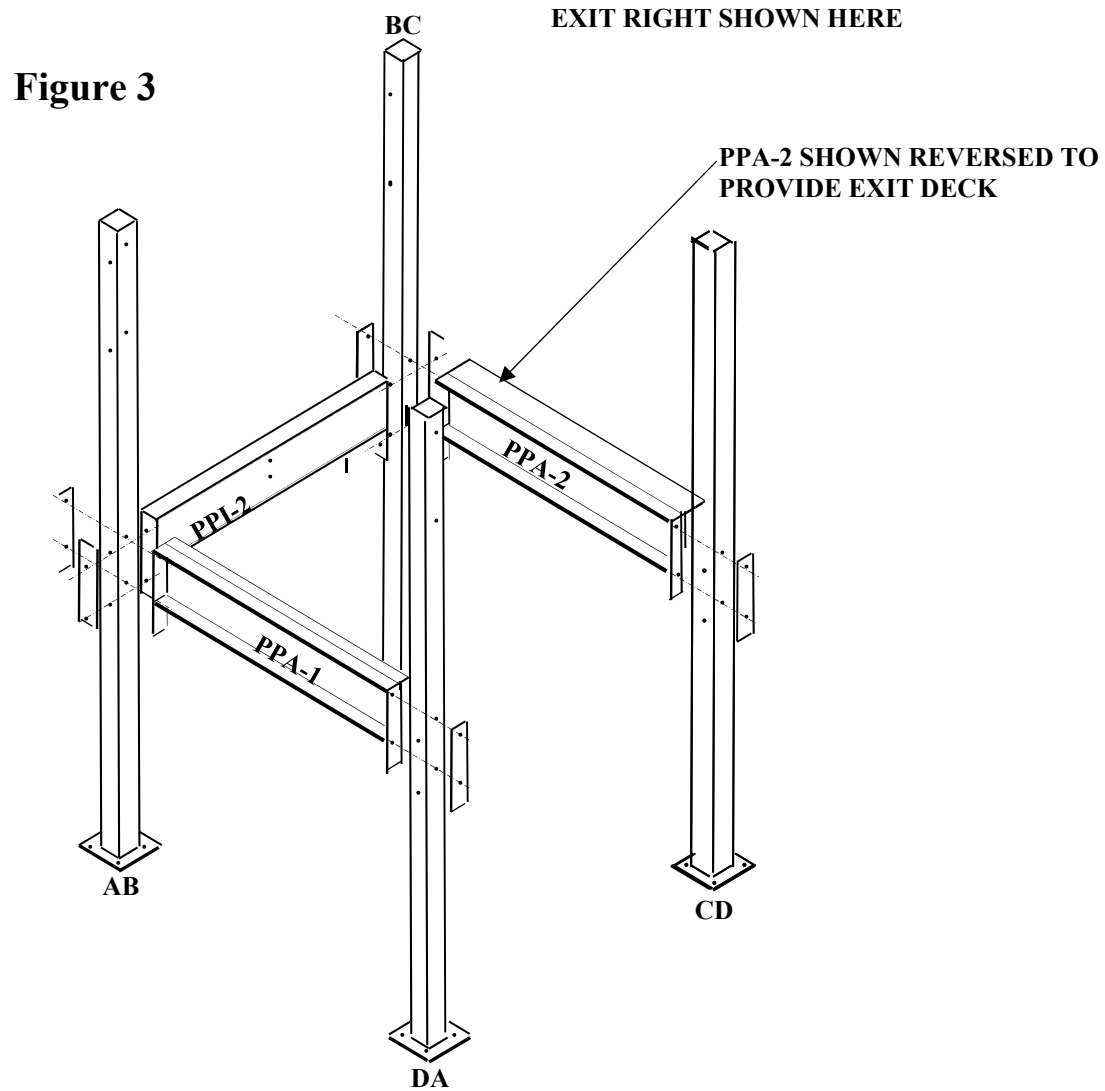
**Positioning Post AB to BC**

3. Attach piece PPA-2 to post BC as in step 2 except 5/8" hardware will use the higher set of holes in the posts. (See sheet AI3000-2). Note: If your landing exits over PPA-2 then mount this channel with the flanges facing in so that the angle welded onto the back of PPA-2 supports the exit deck surface (See figure 2).



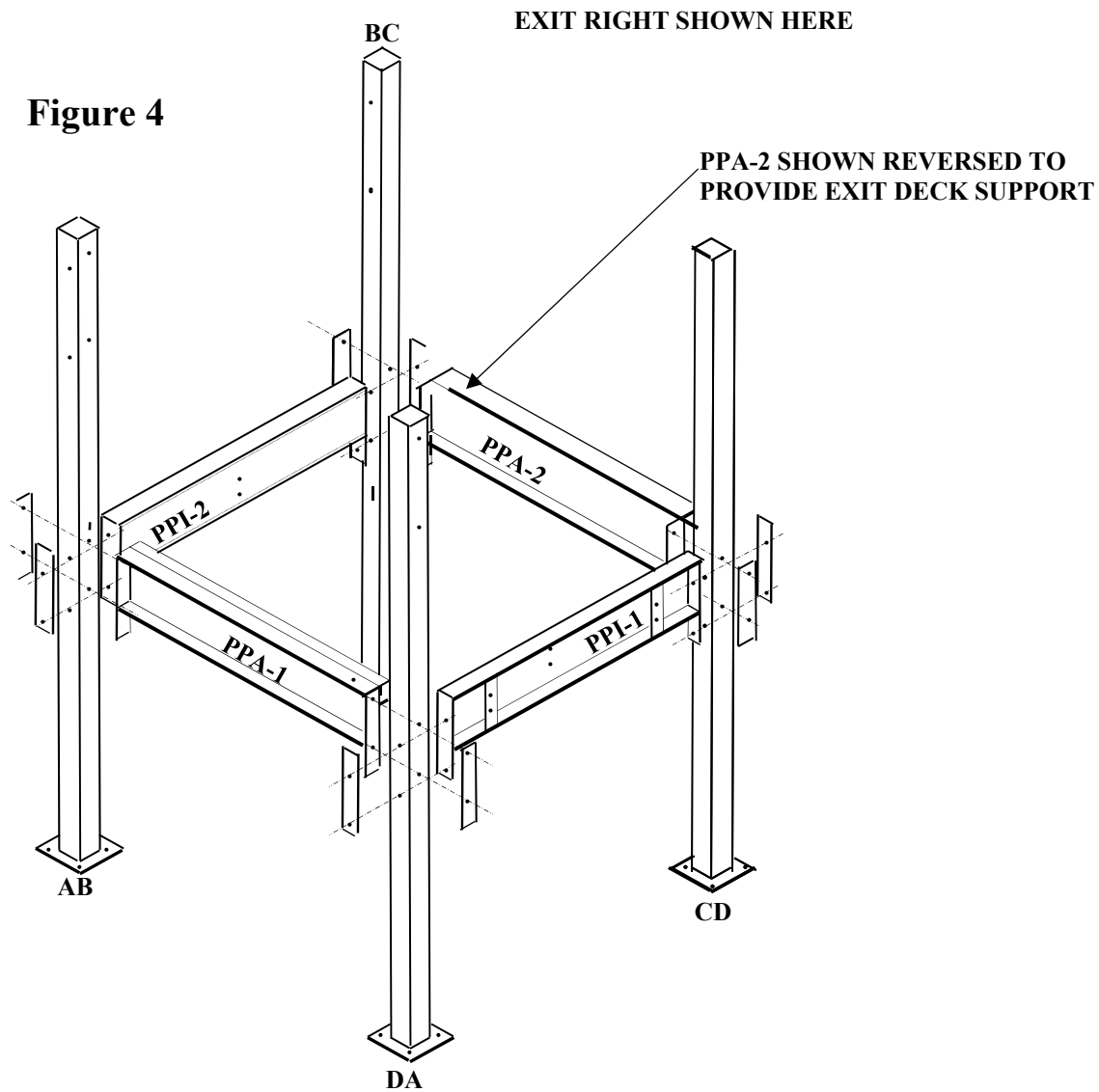
Attaching PPA-2 to BC Post

4. Now that the landing is free standing, install piece PPA-1 between post AB and post DA using the high holes with the channel flanges facing out unless the landing exits over PPA-1. If this is an exit then reverse mount PPA-1 so that the deck support angle faces outward. (See Figure 3).

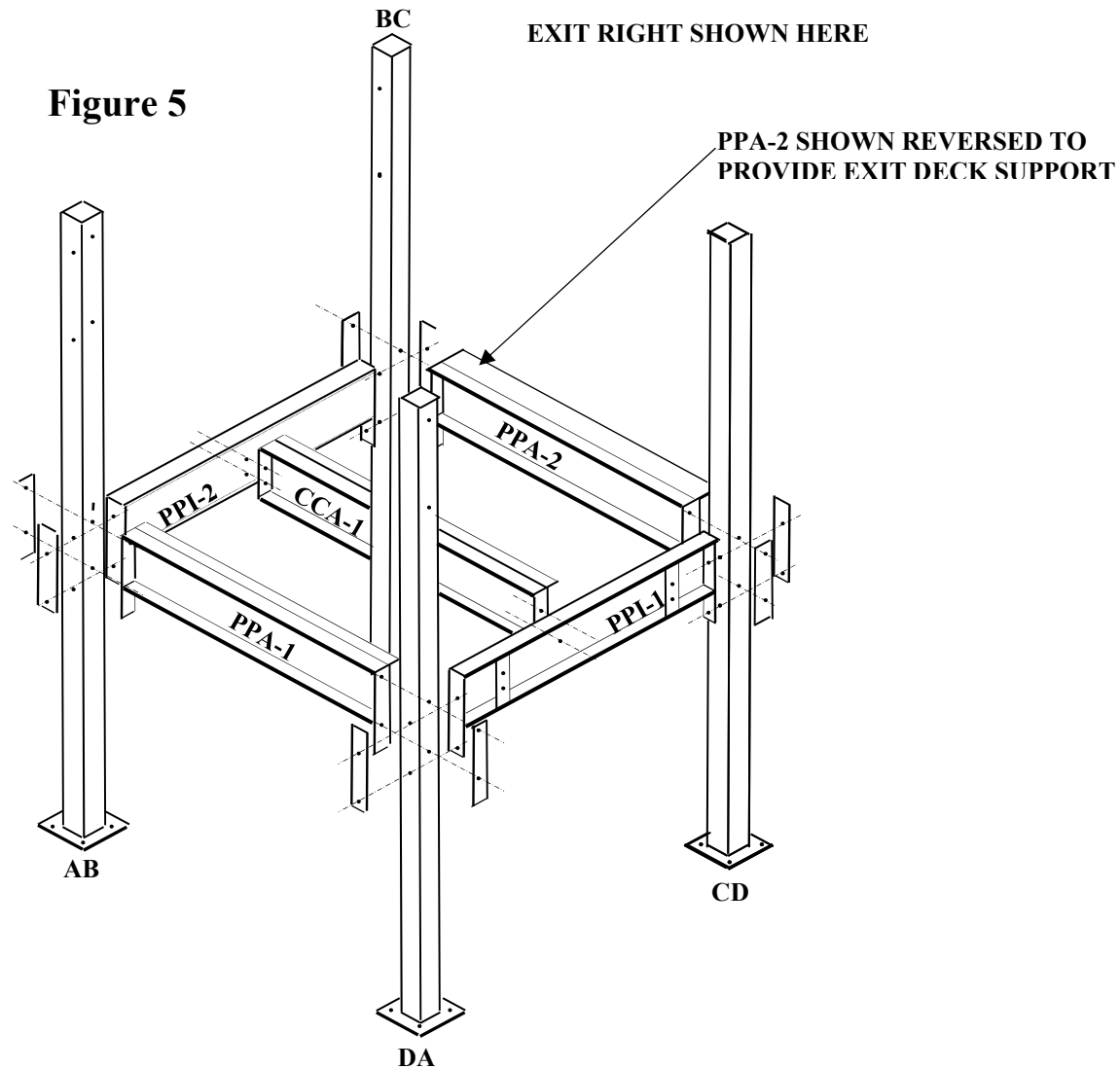


**Installing PPA-1 Between Post AB and DA**

6. Install piece PPI-1 between posts DA and CD with the channel flanges facing outward. (See figure 4)

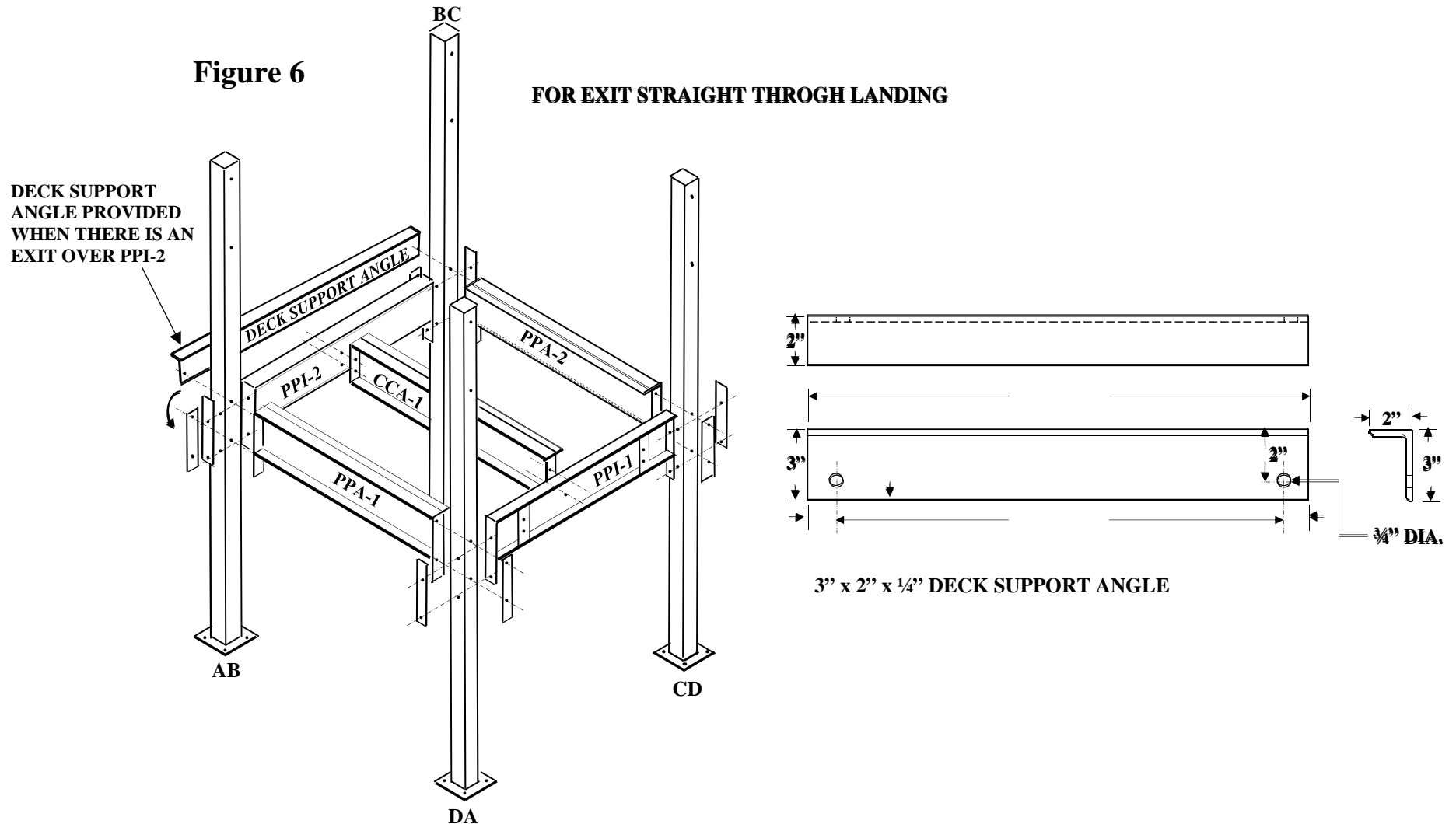


6. Install piece CCA-1 using 5/8" x 2" bolts (the quantity of CCA-1 varies with landing width) between pieces PPI-1 and PPI-2. (See figure 5).



Installing CCA-1 Between PPI-1 and PPI-2

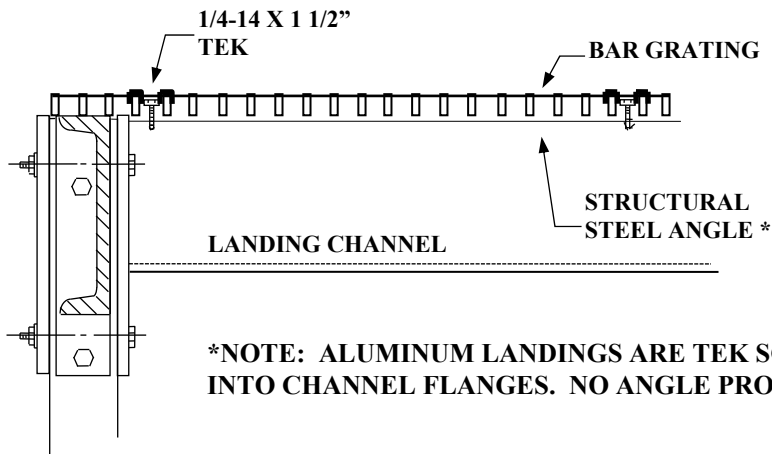
7. Check to see if your landing exits over piece (channel) PPI-2. (If it does not, skip this step). If it does, remove the top bolts holding PPA-1 to post AB and PPA-2 to post BC. Rotate the flat bar washers 180° to point the top hole of the flat bar down. Now only the original bottom hole is connecting the flat bar washer. Install the 3" x 2" x 1/4" threshold deck support angle using the holes vacated by the top of the flat bar washers. Re-install the top bolts for PPA-1 and PPA-2 (See figure 6).



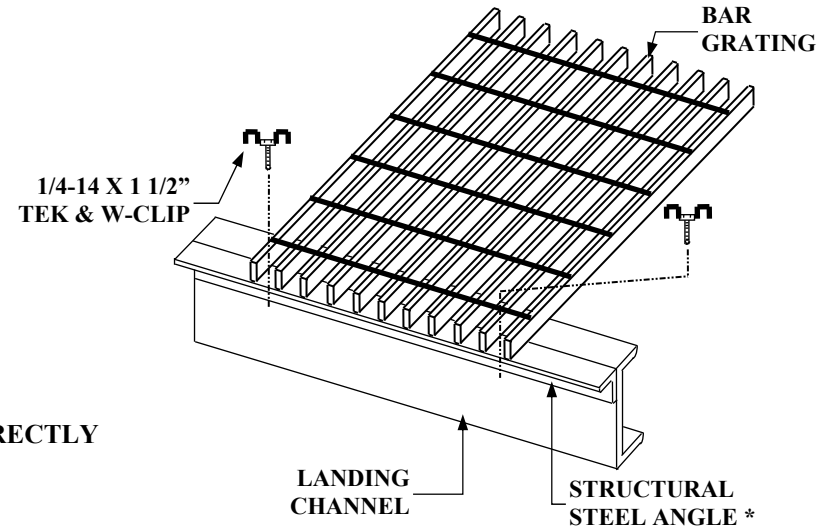


8. Refer to the deck fastening methods in Figure 7 for your deck installation and in the component package for each deck panel location (Sheets LD4000-1, LD4000-2, LD4000-3). Place the deck panels with the corner notches matched to the posts indicated but do not fasten in place. You may want to fasten a center panel (if provided) to the center piece CCA-1 in the middle of the CCA-1 just to keep that panel from moving if deck surface will be used to complete the handrail installation.

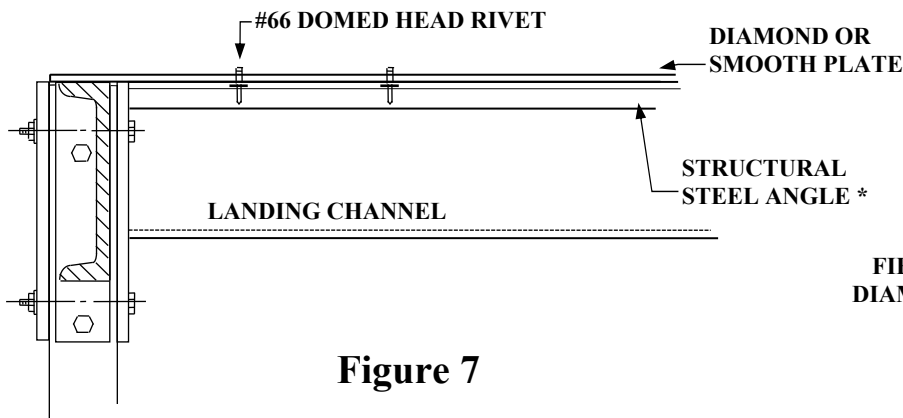
**BAR GRATING**



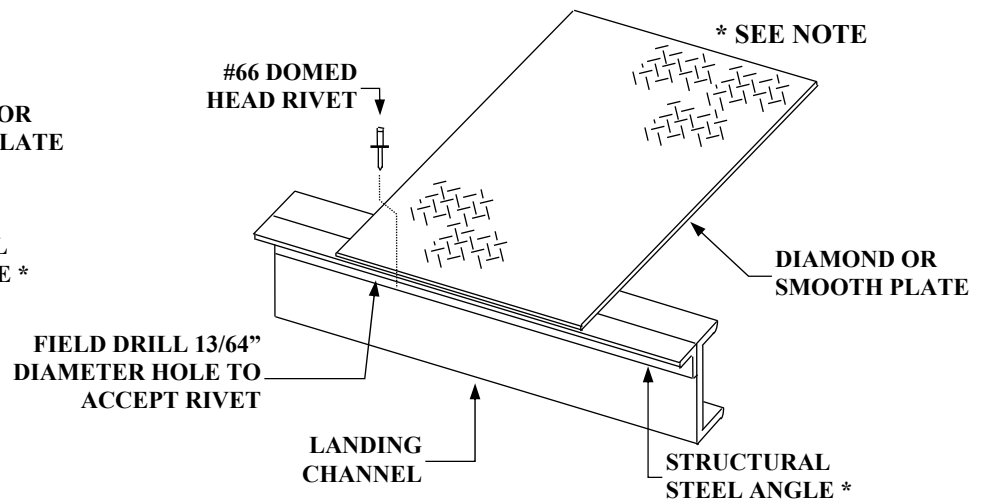
**\*NOTE: ALUMINUM LANDINGS ARE TEK SCREWED DIRECTLY INTO CHANNEL FLANGES. NO ANGLE PROVIDED.**



**1/8" DIAMOND PLATE/SMOOTH PLATE**



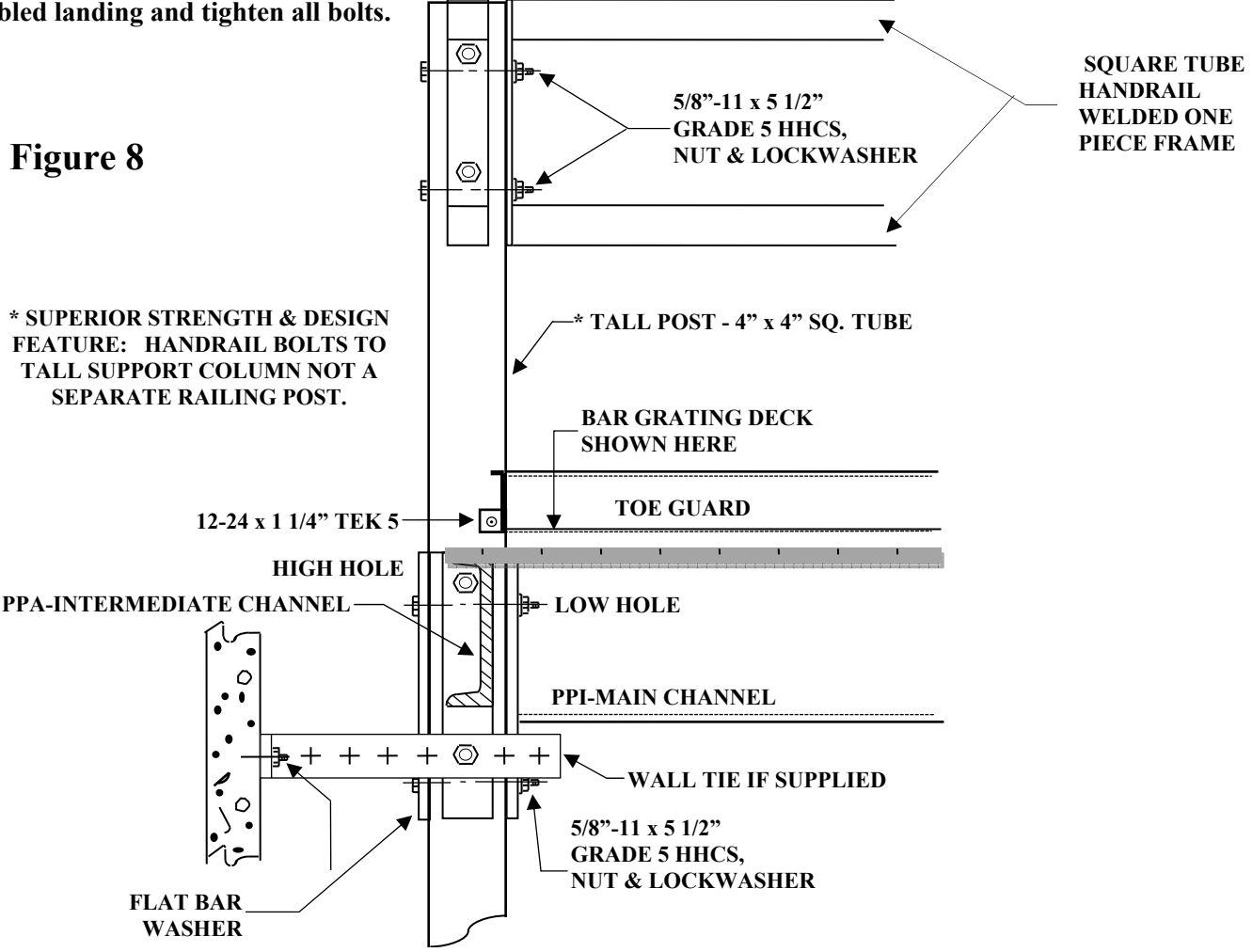
**Figure 7**



- 9. Install the handrail sections provided on the appropriate sides of the landing as shown in figure 8. Handrail sections are labeled by their designated landing side location. (A, B, C, or D).
- 10. Install the formed toe guard sections under the handrail sections per figure 8 using the tek screws provided.
- 11. Square and plumb the assembled landing and tighten all bolts.

**Figure 8**

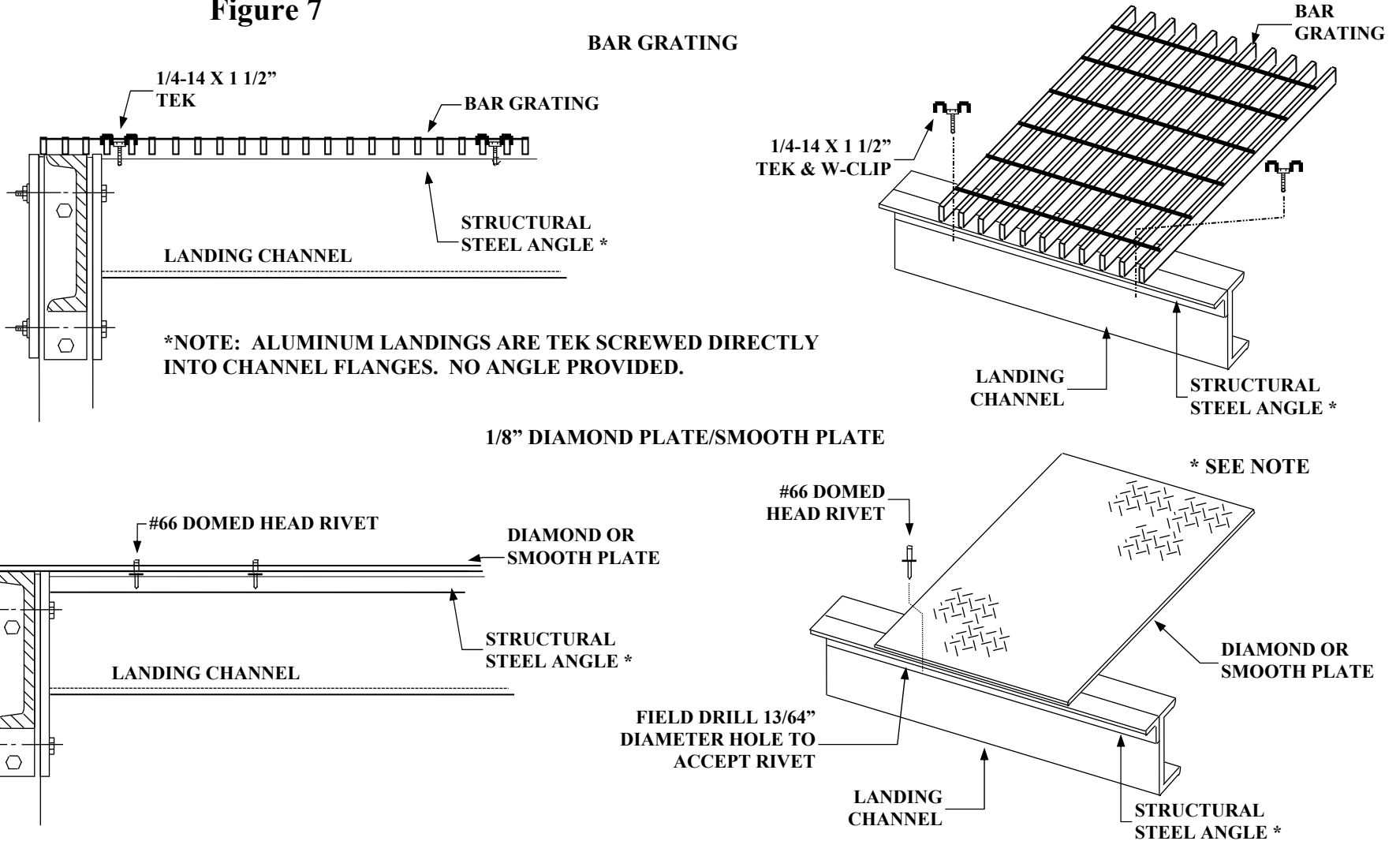
\* SUPERIOR STRENGTH & DESIGN FEATURE: HANDRAIL BOLTS TO TALL SUPPORT COLUMN NOT A SEPARATE RAILING POST.



**Typical Side View through PPA Channel**

12. Square and position the deck panels. Fasten each deck panel in place per figure 7.

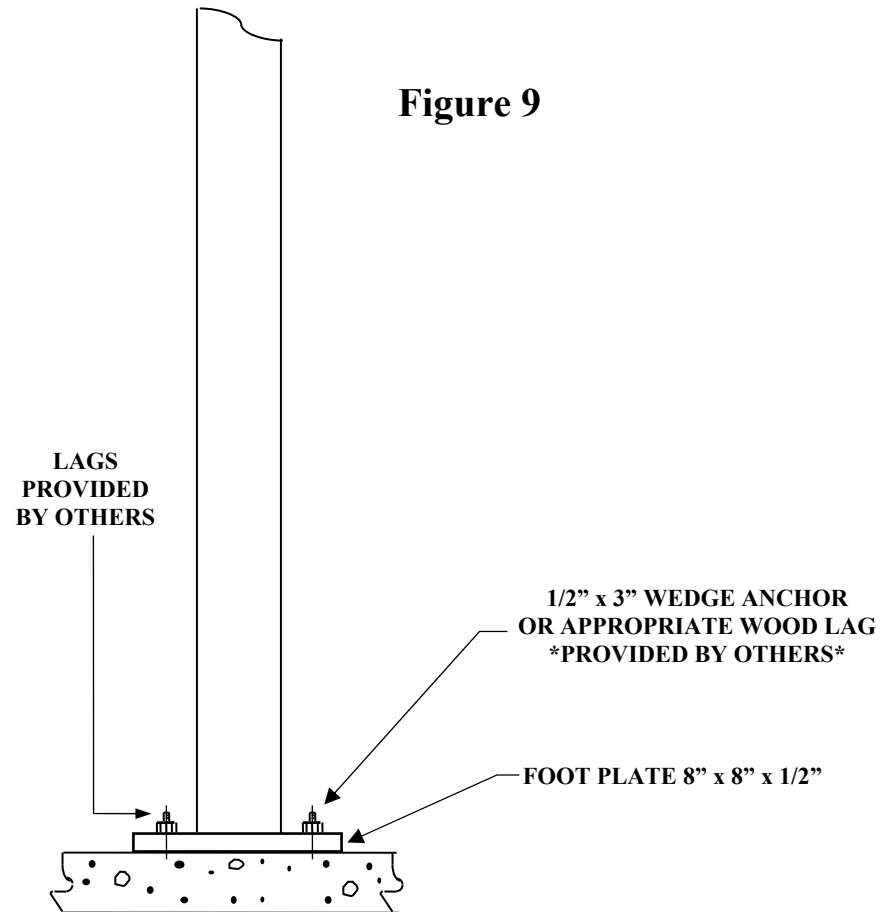
**Figure 7**



Square and Positioning the Deck Panels

13. Attach any stairs or ladders as provided to the flat bar mounts welded between the channel flanges. (Shown on PPI-1 in Figure 6.)  
Note for special stairs mounting to landing columns: In some cases, due to extremely limited access area, the stairs are made to attach to the landing columns in order to keep the landing width to a minimum. In this case bolt the stairs to the landing using the same bolts as those holding the landing framing channels such as the PPA – intermediate channel in figure 8. If only one side of the stair attaches to the columns, stair shim flat bars are provided to fill the gap to the flat bar welded to the landing channels shown in figure 6. Use three 3/8 x 2 x 6 flat bars per stair shim required and two 5/8 x 3 1/2 bolts, lockwashers, and nuts.  
Note: Do not use the regular flat bar provided at the location where to the stair attaches to the landing column. The stair top plate replaces it.

14. Align all stair or ladder attachments and anchor the base plates using wedge anchors or wood lags per Figure 9.

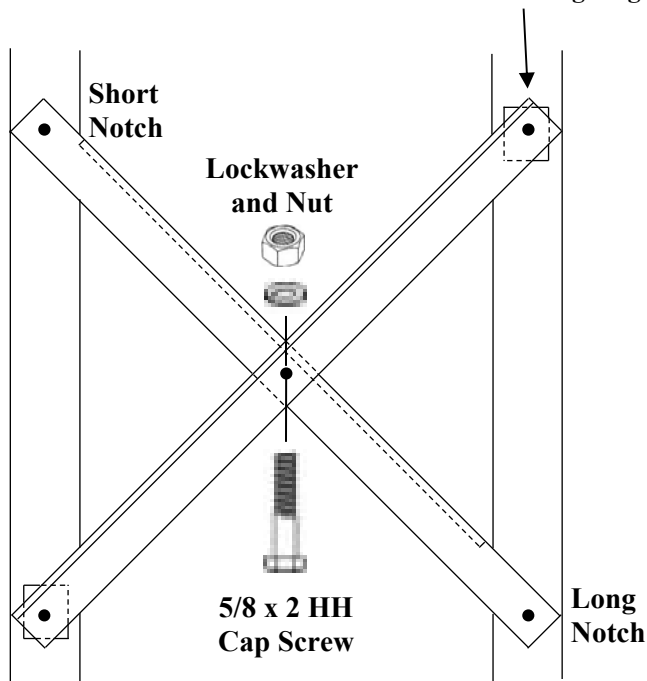


15. If sway braces have been provided (usually deck heights above 12' or multi-level stair towers). Install the angle iron X's on all 4 sides by through bolting the ends into the outside faces of the posts. The center of the X is bolted using 5/8" bolts. (See Figure 10) Note that one angle is notched to face inboard between the posts.

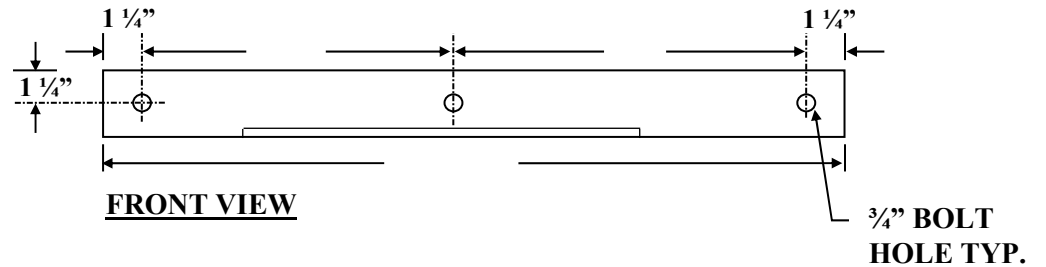
**SWAY BRACES PROVIDED FOR DECK HEIGHTS OVER 12' HIGH**  
**2 1/2 x 2 1/2 x 3/16" SWAY BRACE FOR STAIR LANDING POSTS**

**Figure 10**

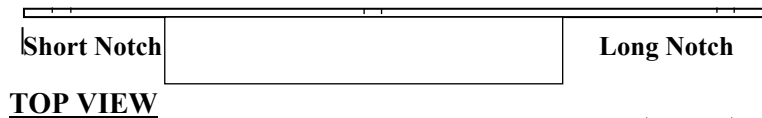
Note: Install 2 5/16 x 3 flat washer under outward facing diagonal



**Hardware Use:**  
 5/8" - 11 x 5-1/2 GR 5 HHCS  
 5/8" Lockwasher  
 5/8" - 11 GR 5 Hex Nut



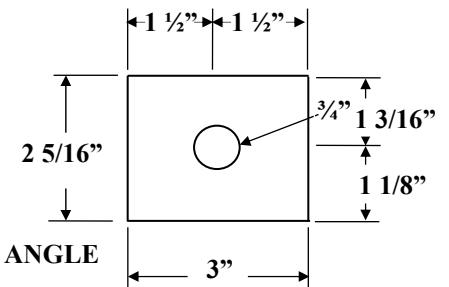
**FRONT VIEW**



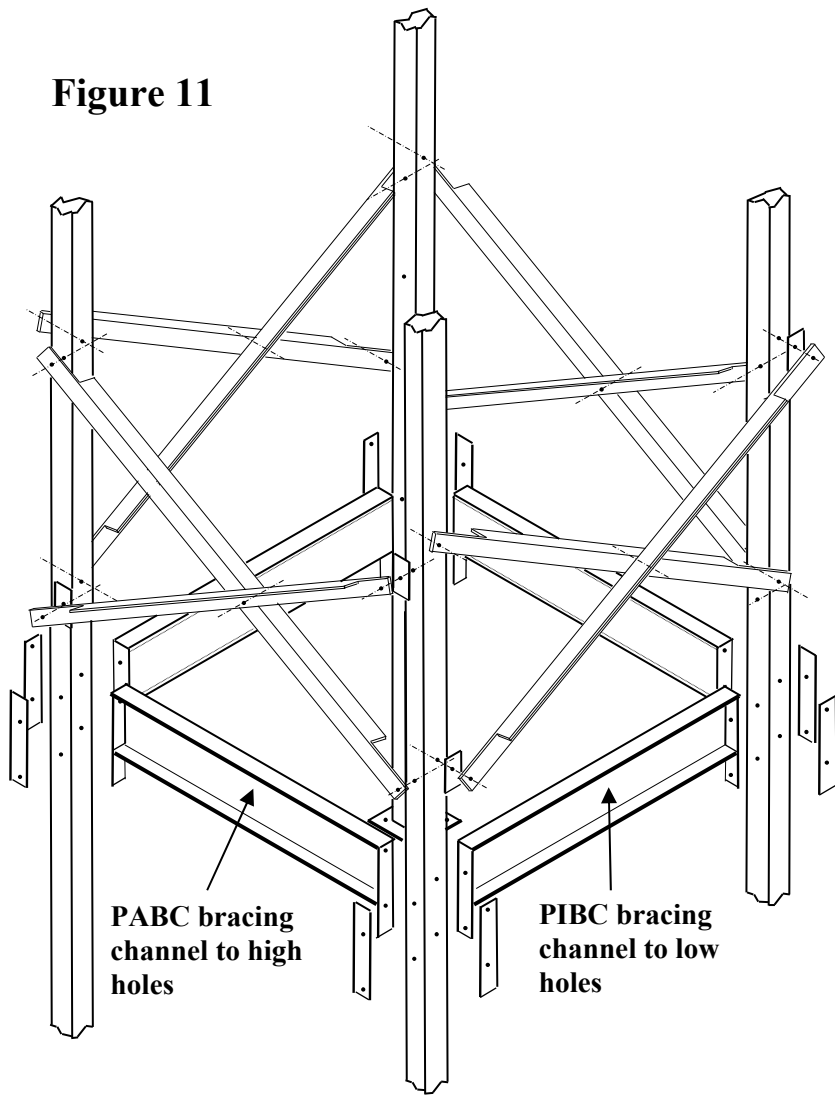
**TOP VIEW**

**BRA BRACE** 2 1/2" x 2 1/2" x 3/16" ANGLE

**SPACER**  
 3/16" x 2 5/16" FLAT BAR  
 TO BE CUT FROM BRACING ANGLE

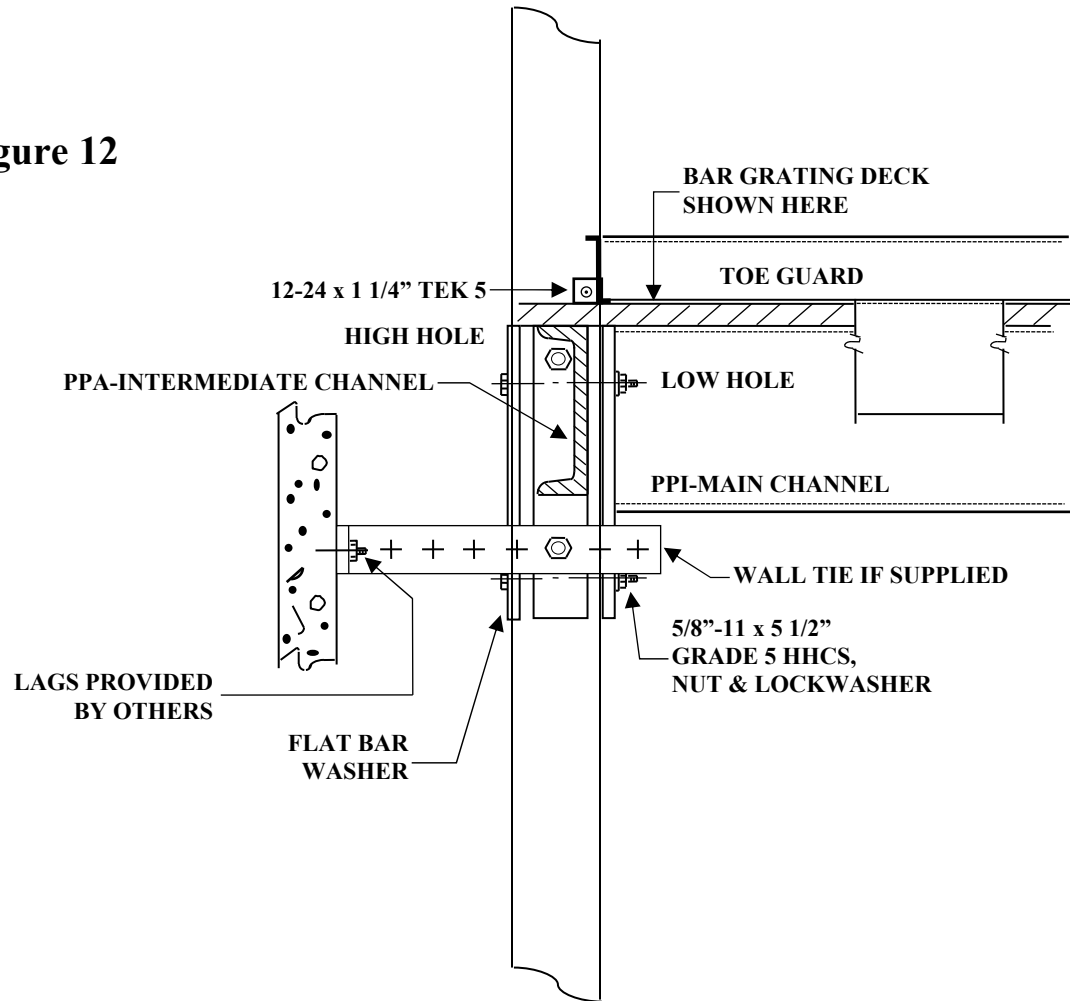


16. For single level landings with a deck height 14' and above or for multi-level landing towers, brace channels will be provided to be mounted below the diagonal sway braces detailed in figure 10. Bolt these channels into the holes in the landing columns by using the high holes for the PABC channels and the low holes for the PIBC channels.



17. If provided, wall ties can be attached as shown in Figure 12.

Figure 12



Attaching Wall Ties

18. A Completed landing (Exit Right) is shown in Figure 13.

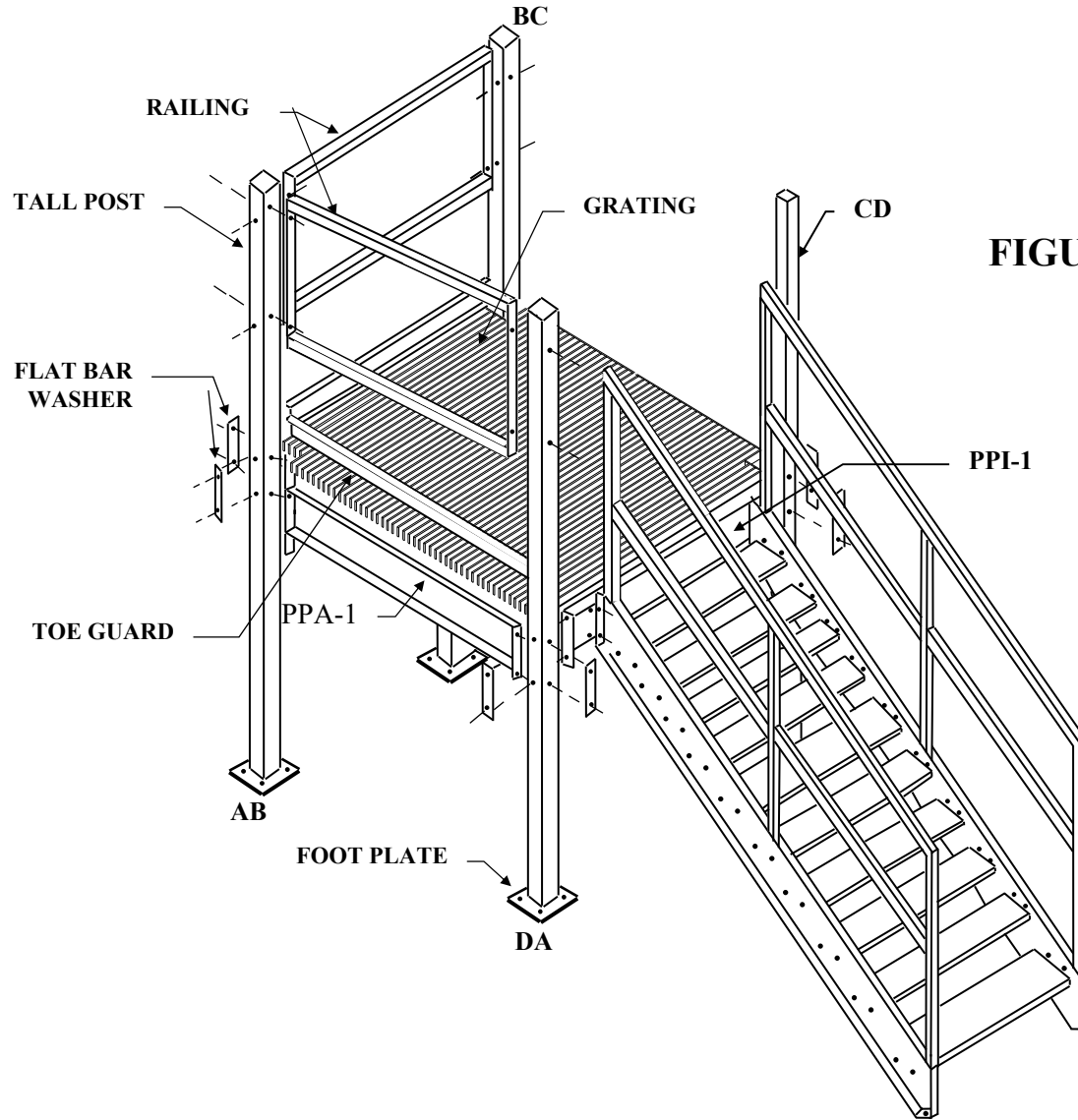
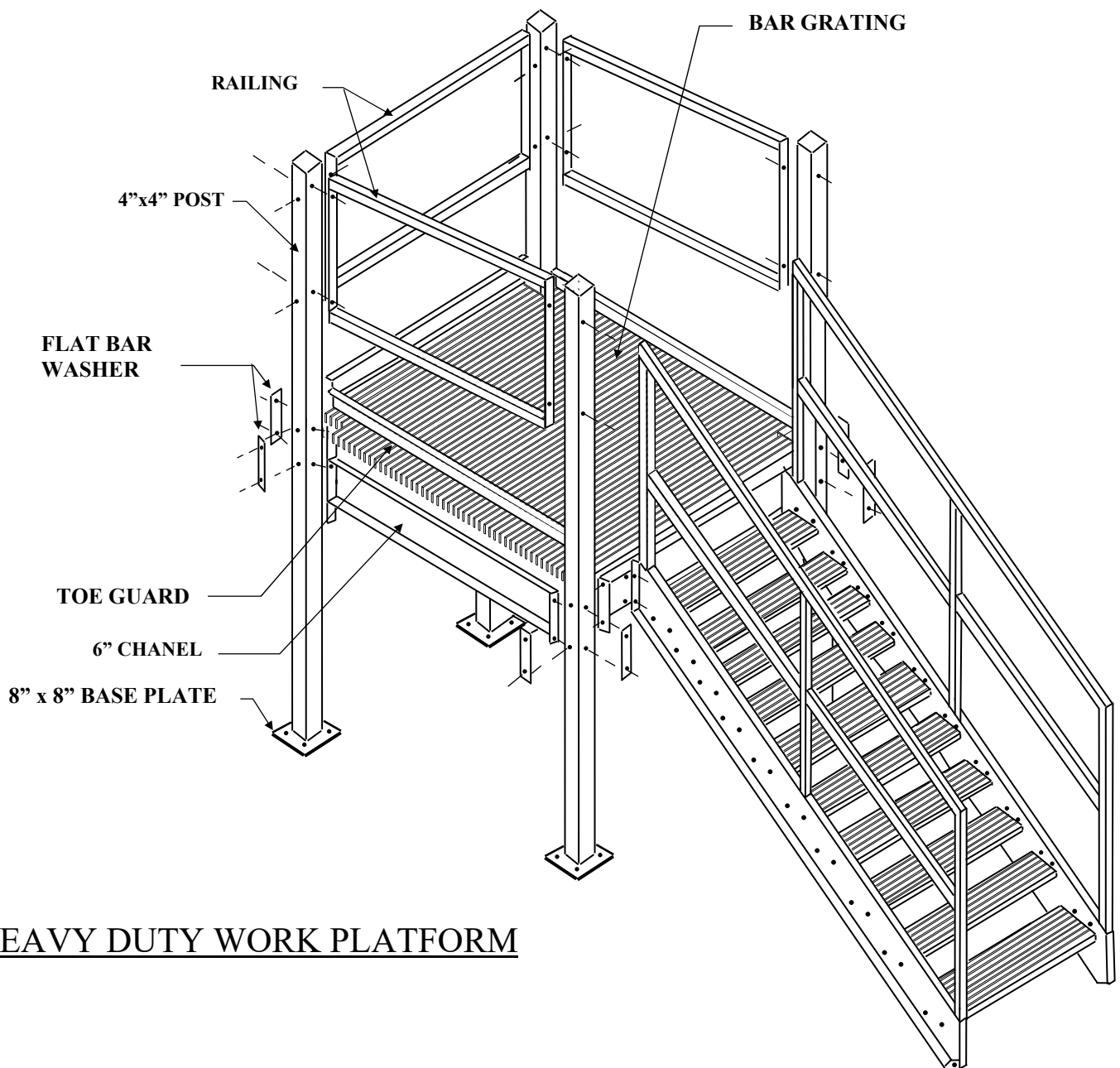


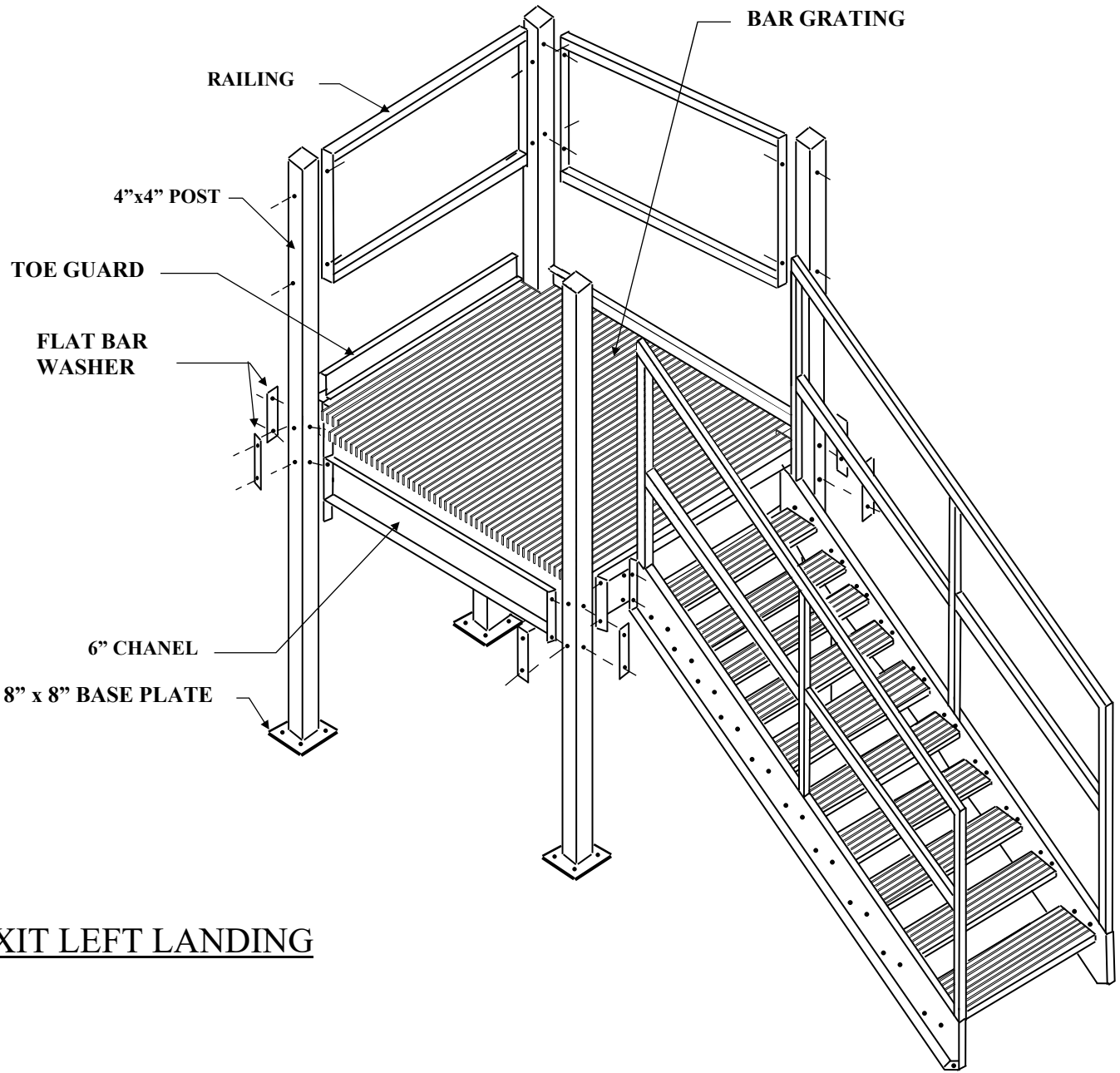
FIGURE 13

Completed Exit Right Landing Landing

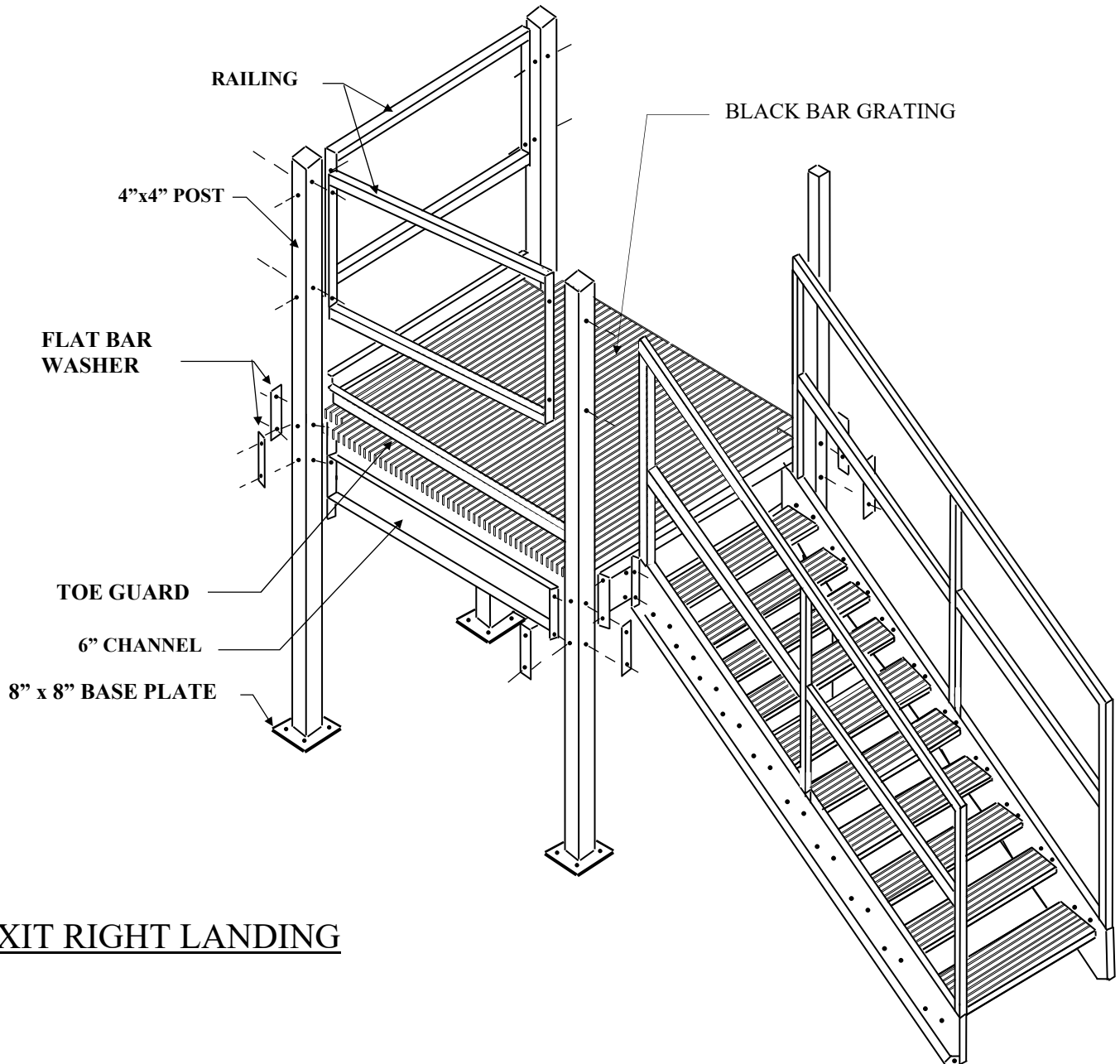




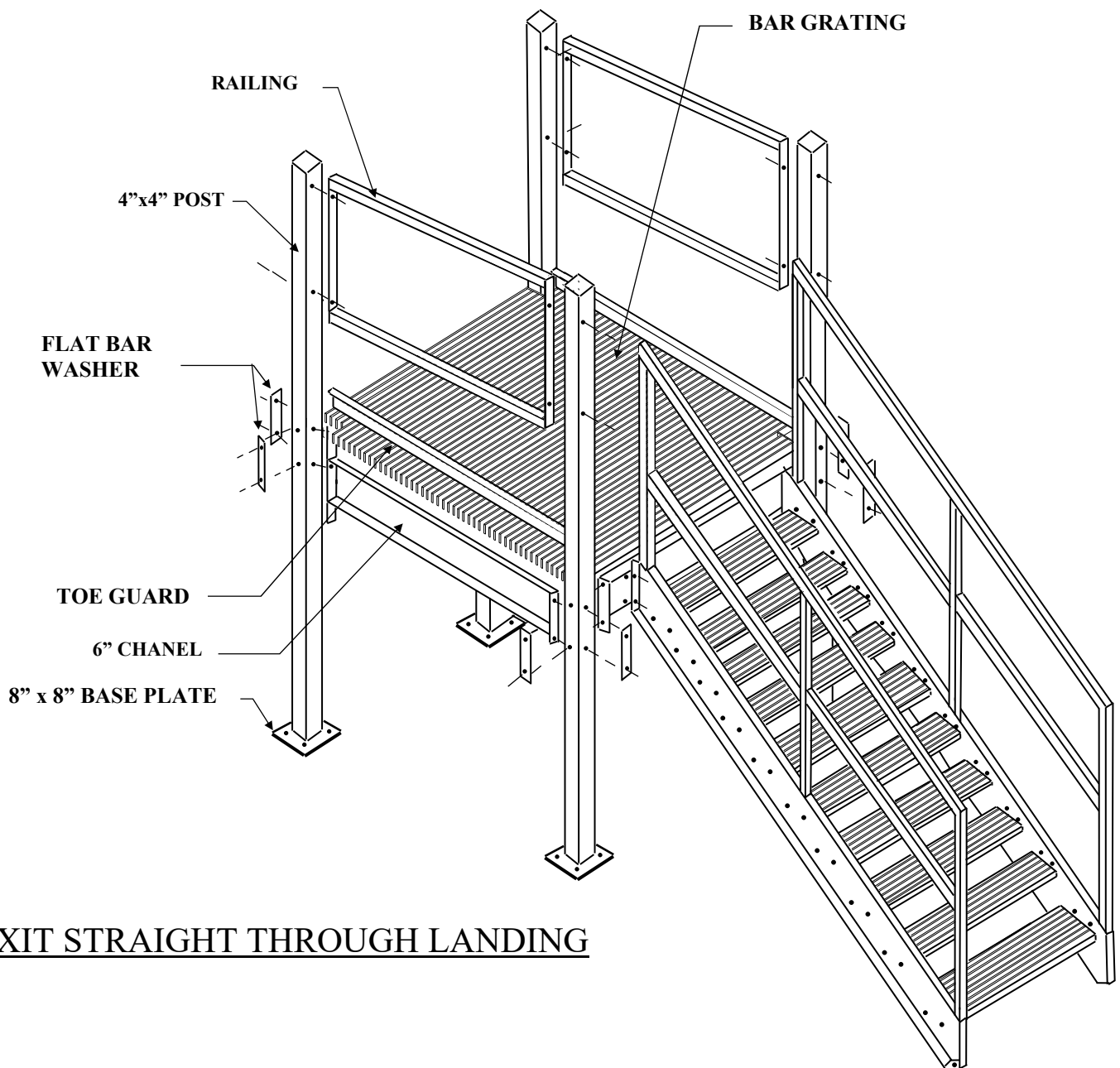
HEAVY DUTY WORK PLATFORM



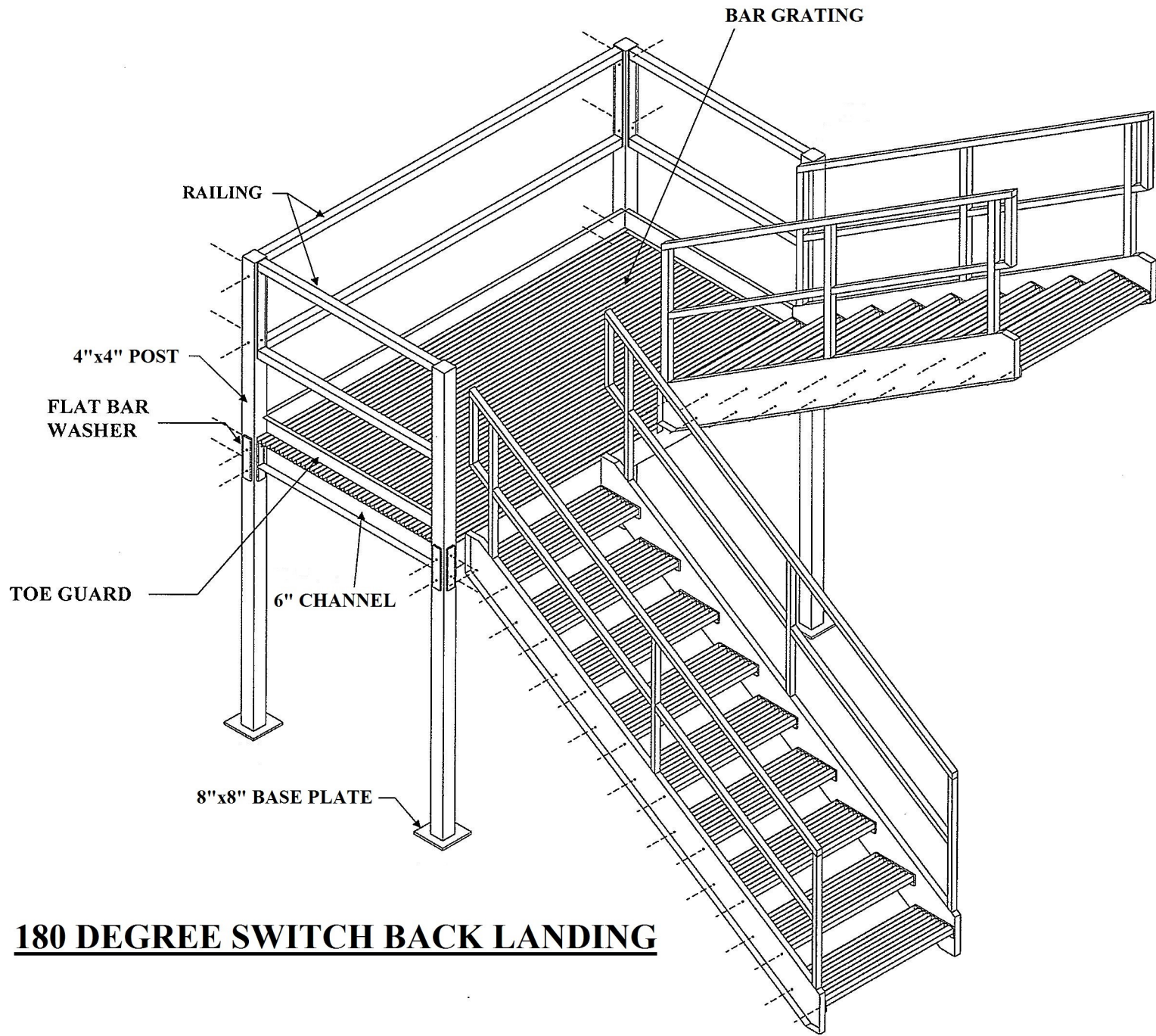
EXIT LEFT LANDING



EXIT RIGHT LANDING



EXIT STRAIGHT THROUGH LANDING



**180 DEGREE SWITCH BACK LANDING**