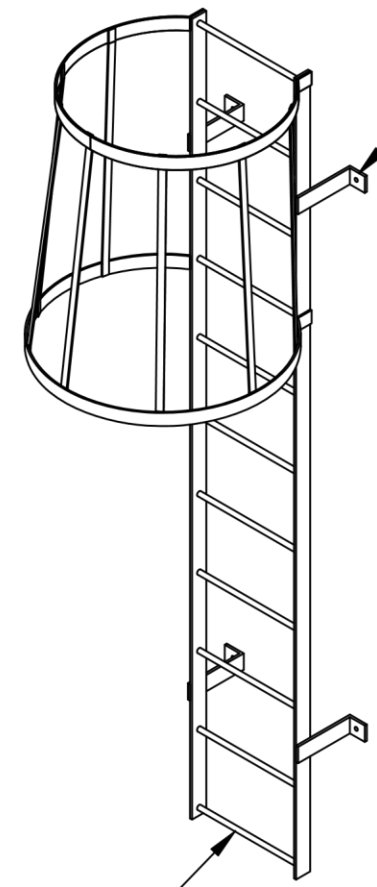
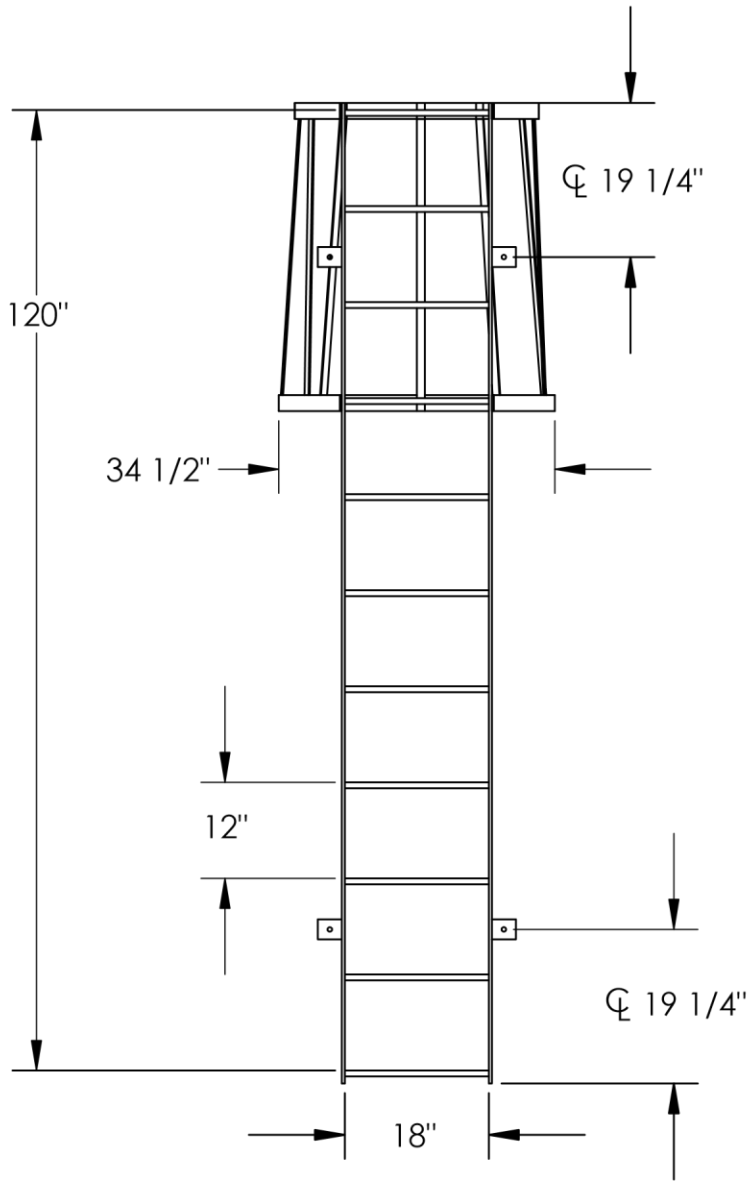
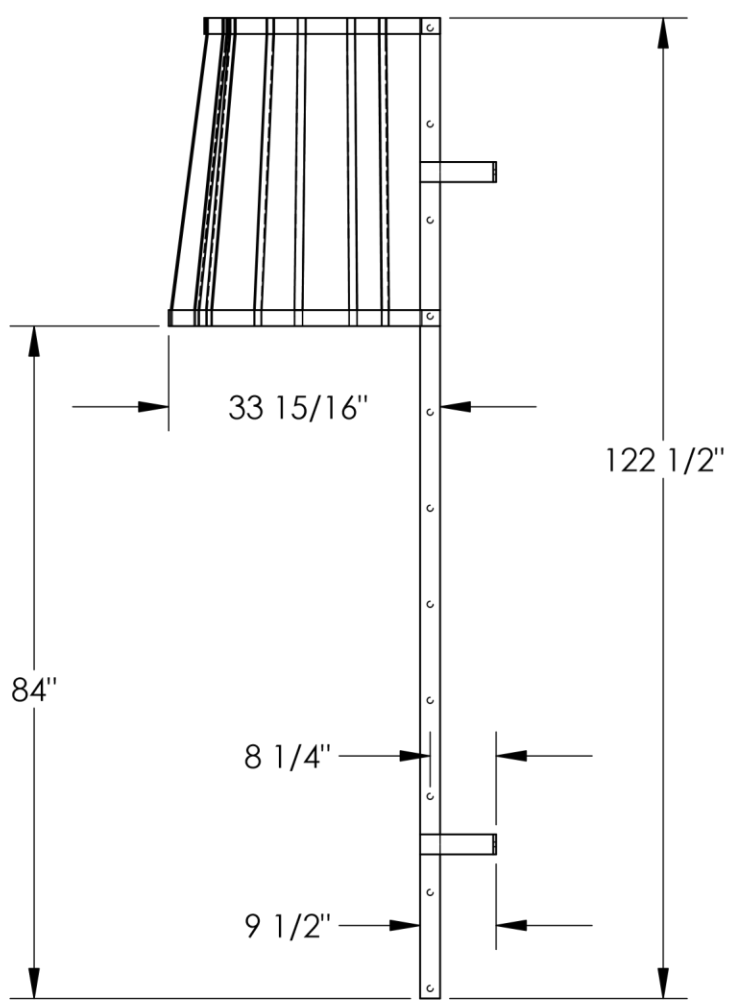


8 7 6 5 4 3 2 1

D
C
B
A



STAND-OFF BRACKET WITH 9/16" HOLE MOUNTS TO WALL

3/4" REBAR RUNG

350 LB CAPACITY

APPROVAL SIGNATURE:				TITLE: Fixed Ladder with Cage		
DATE:						
PROPRIETARY AND CONFIDENTIAL THE INFORMATION CONTAINED IN THIS DRAWING IS THE SOLE PROPERTY OF THE MANUFACTURER. ANY REPRODUCTION IN PART OR AS A WHOLE WITHOUT THE WRITTEN PERMISSION OF THE MANUFACTURER IS PROHIBITED.	LEAD TIME					
	MATERIAL	Plain Carbon Steel		SIZE	DWG. NO.	REV
	FINISH	Gray		B	WLFC1111	02
DO NOT SCALE DRAWING		DRAWN	J.A.L.	7/8/20	SCALE: 1:24	WEIGHT: 152
				SHEET 1 OF 1		

8 7 6 5 4 3 2 1